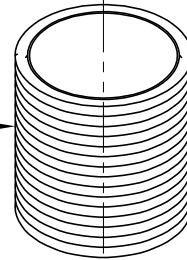


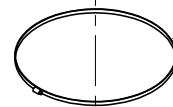
ø24.00" CAST IRON OR OPTIONAL FIBERGLASS ACCESS COVER.



ø18.00" CORRUGATED PVC OR HDPE ACCESS RISER.

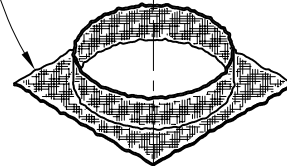


PLASTIC OR GEOTEXTILE FABRIC BOOT. ATTACHED TO LINER PER MANUFACTURERS SPECIFICATION.



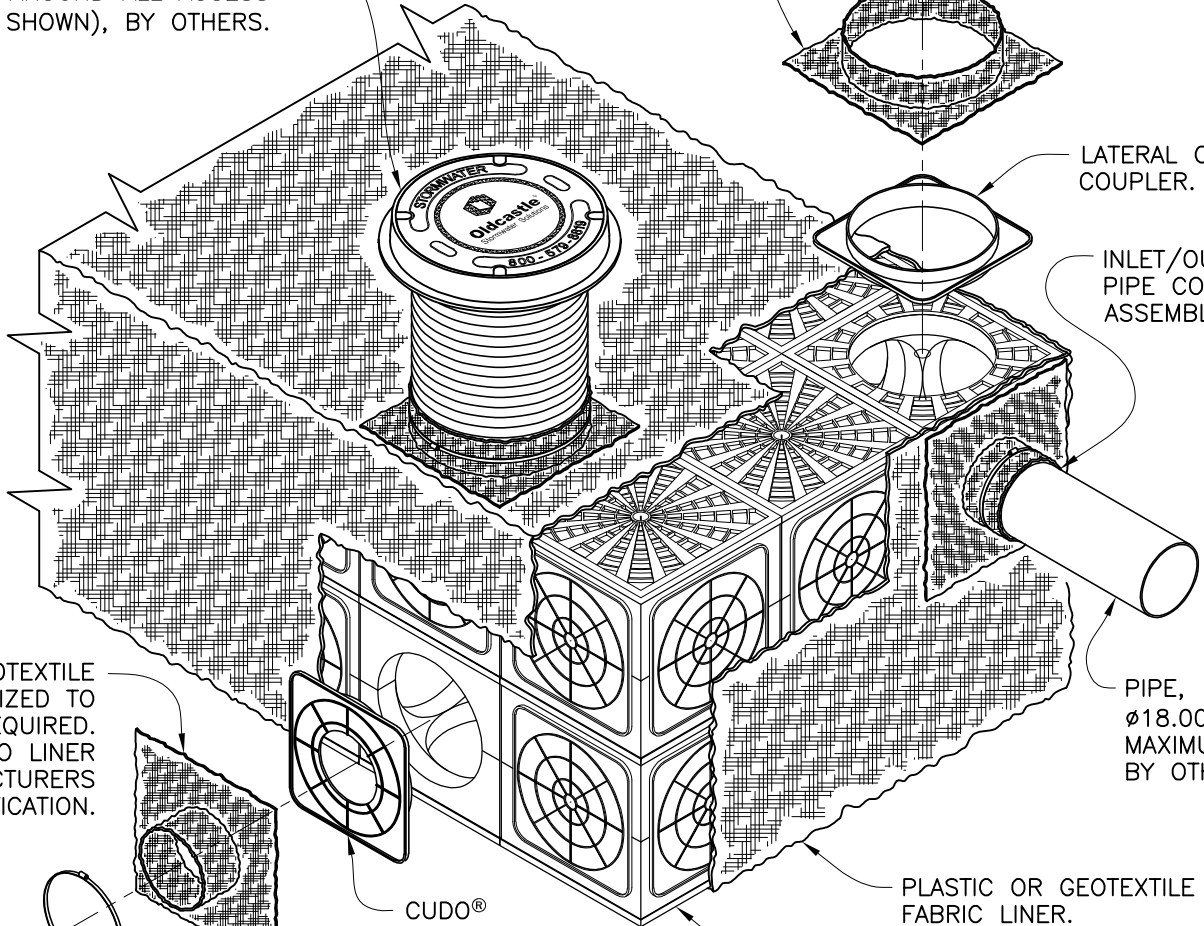
STAINLESS STEEL CLAMP.

MAINTENANCE ACCESS ASSEMBLY. FIELD POURED CONCRETE COLLAR REQUIRED AROUND ALL ACCESS COVERS, (NOT SHOWN), BY OTHERS.

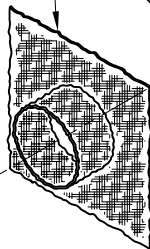


LATERAL CUDO® COUPLER.

INLET/OUTLET PIPE CONNECTION ASSEMBLY.



PLASTIC OR GEOTEXTILE FABRIC BOOT SIZED TO PIPE AS REQUIRED. ATTACHED TO LINER PER MANUFACTURERS SPECIFICATION.

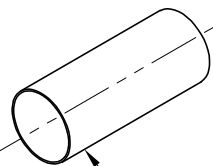


PIPE, ø18.00" MAXIMUM. BY OTHERS.

CUDO® SIDE PANEL WITH OPENING CUT TO PIPE SIZE AS REQUIRED. (ø18.00" MAXIMUM)

PLASTIC OR GEOTEXTILE FABRIC LINER.

CUDO™ WATER STORAGE SYSTEM.



STAINLESS STEEL CLAMP.

PIPE, ø18.00" MAXIMUM. BY OTHERS.

**INLET / OUTLET CONNECTION WITH PIPE**



Detention/  
Infiltration

**CUDO®**  
Water Storage System  
Pipe Connection & Maintenance  
Access Installation Diagram



**Oldcastle®**  
Stormwater Solutions

7921 Southpark Plaza, Suite 200 | Littleton, CO | 80120 | Ph: 800.579.8819 | oldcastlestormwater.com

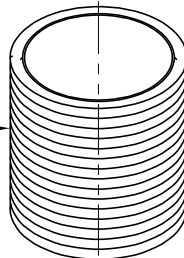
THIS DOCUMENT IS THE PROPERTY OF OLDCASTLE PRECAST, INC. IT IS SUBMITTED FOR REFERENCE PURPOSES ONLY AND SHALL NOT BE USED IN ANY WAY INJURIOUS TO THE INTERESTS OF SAID COMPANY. COPYRIGHT © 2018 OLDCASTLE PRECAST, INC. ALL RIGHTS RESERVED.

DRAWING NO. CUDO-PIPE-0001	REV B	ECO ECO-0154 ZHD 2/6/18	DATE JPR 7/22/09	SHEET 1 OF 2
-------------------------------	----------	-------------------------------	---------------------	--------------

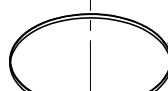
Ø24.00" CAST IRON OR OPTIONAL FIBERGLASS ACCESS COVER.



Ø18.00" CORRUGATED PVC OR HDPE ACCESS RISER.

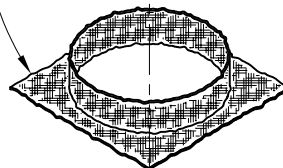


PLASTIC OR GEOTEXTILE FABRIC BOOT. ATTACHED TO LINER PER MANUFACTURERS SPECIFICATION.

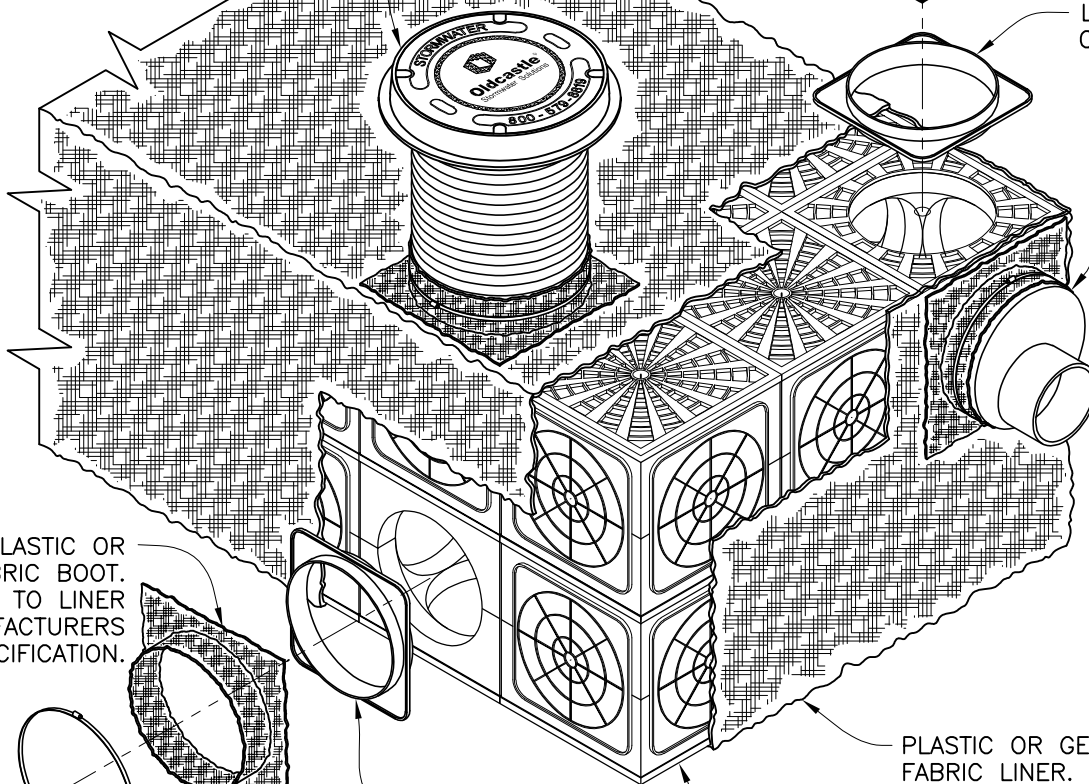


STAINLESS STEEL CLAMP.

MAINTENANCE ACCESS ASSEMBLY. FIELD POURED CONCRETE COLLAR REQUIRED AROUND ALL ACCESS COVERS, (NOT SHOWN), BY OTHERS.



LATERAL CUDO® COUPLER.



INLET/OUTLET ASSEMBLY.

Ø18.00" PLASTIC OR GEOTEXTILE FABRIC BOOT. ATTACHED TO LINER PER MANUFACTURERS SPECIFICATION.

Ø18.00" LATERAL CUDO® COUPLER.

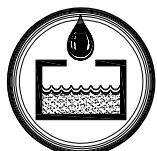
PLASTIC OR GEOTEXTILE FABRIC LINER.

CUDO™ WATER STORAGE SYSTEM.

STAINLESS STEEL CLAMP.

REDUCER/PIPE (Ø18.00" MAXIMUM) BY OTHERS.

**INLET / OUTLET CONNECTION WITH REDUCER**



Detention/  
Infiltration

**CUDO®**  
Water Storage System  
Pipe Connection & Maintenance  
Access Installation Diagram



**Oldcastle®**  
Stormwater Solutions

7921 Southpark Plaza, Suite 200 | Littleton, CO | 80120 | Ph: 800.579.8819 | oldcastlestormwater.com

THIS DOCUMENT IS THE PROPERTY OF OLDCASTLE PRECAST, INC. IT IS SUBMITTED FOR REFERENCE PURPOSES ONLY AND SHALL NOT BE USED IN ANY WAY INJURIOUS TO THE INTERESTS OF SAID COMPANY. COPYRIGHT © 2018 OLDCASTLE PRECAST, INC. ALL RIGHTS RESERVED.

DRAWING NO. CUDO-PIPE-0001	REV B	ECO ECO-0154 ZHD 2/6/18	DATE JPR 7/22/09	SHEET 2 OF 2
-------------------------------	----------	-------------------------------	---------------------	--------------