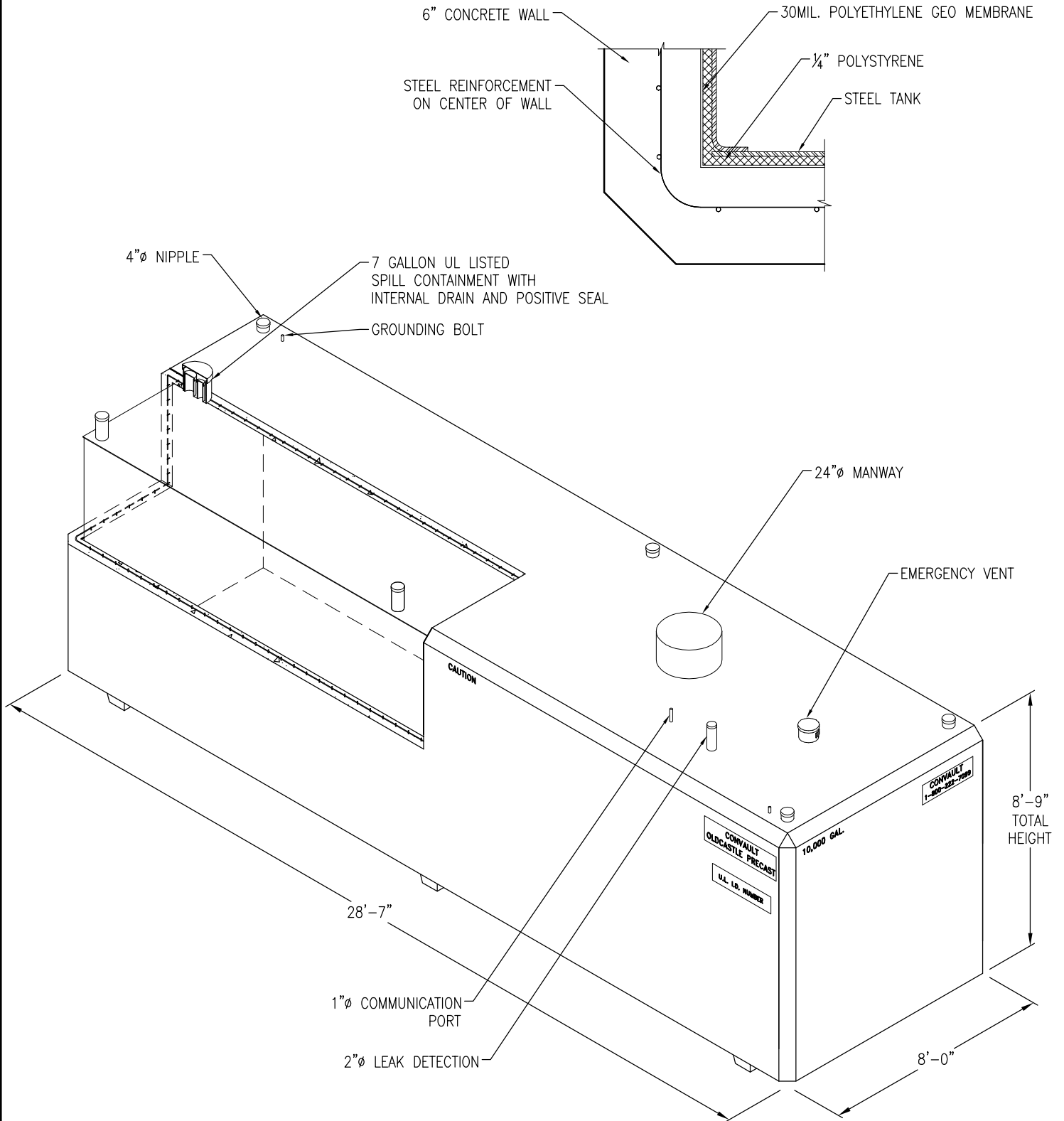


NOTE:
CONVAULT EQUIPMENT AND LAYOUT
VARIES TO SPECIFIC CUSTOMER NEEDS

CVT-10



MEETS UL2085 & UL752 LEVEL 8
APPROXIMATE WEIGHT:
WITHOUT EQUIPMENT 87,000 LBS

DRAWING MAY NOT CONFORM TO THE
MOST CURRENT SPECIFICATION



Oldcastle Precast[®]

Northern California
Madera ■ Morgan Hill ■ Pleasanton ■ Santa Rosa ■ Stockton ■ Tulare
Phone: 925-750-6650 Fax: 925-750-6660

CVT-10000G
FILE NAME: CVT-10.DWG
REVISED: MARCH 2016
www.oldcastleprecast.com

8'-0" X 28'-7" X 8'-9"
**CONVAULT
OLDCASTLE PRECAST**

Copyright © 2016 **Oldcastle** Precast, Inc.