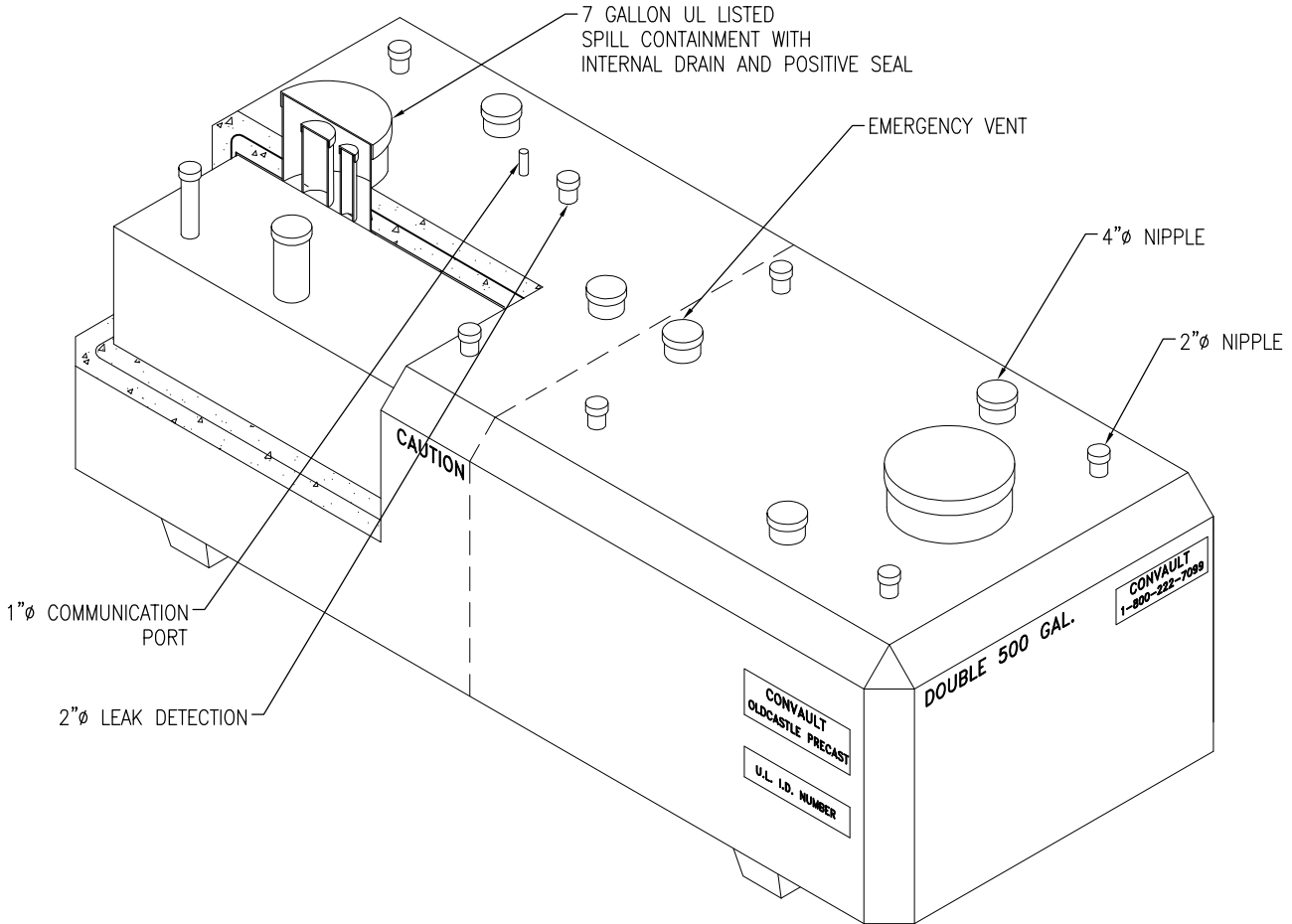
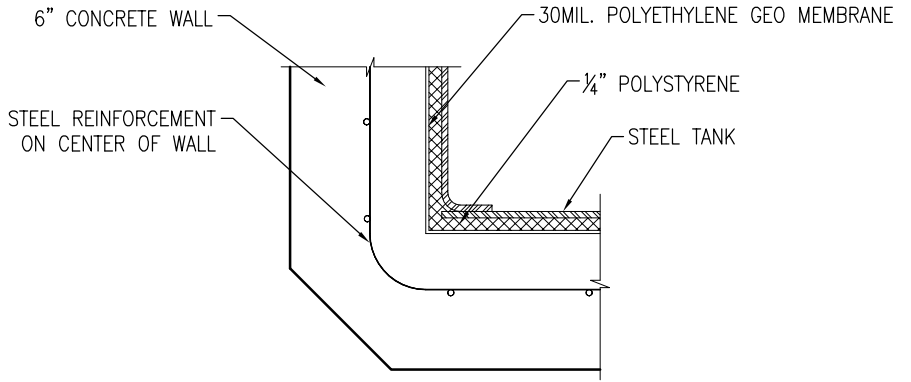


NOTE:  
CONVAULT EQUIPMENT AND LAYOUT  
VARIES TO SPECIFIC CUSTOMER NEEDS



MEETS UL2085 & UL752 LEVEL 8  
WEIGHTS COULD BE UP TO 15% MORE THAN SPECIFIED

CAPACITY	W	L	H	WEIGHT
E 250	4'-7"	11'-0"	3'-4"	12,000 LBS.
E 500	5'-9"	11'-0"	4'-4"	18,000 LBS.
E 1,000	8'-0"	11'-2"	5'-3"	30,000 LBS.
E 2,000	8'-0"	12'-2"	8'-9"	44,000 LBS.
E 3,000	8'-0"	17'-7"	8'-9"	60,000 LBS.
E 4,000	8'-0"	23'-1"	8'-9"	72,000 LBS.
E 5,000	8'-0"	28'-7"	8'-9"	87,000 LBS.
E 6,000	8'-0"	34'-1"	8'-9"	101,000 LBS.

DRAWING MAY NOT CONFORM TO THE MOST CURRENT SPECIFICATION

**Oldcastle Precast**<sup>®</sup>  
Northern California  
Madera ■ Morgan Hill ■ Pleasanton ■ Santa Rosa ■ Stockton ■ Tulare  
Phone: 925-750-6650 Fax: 925-750-6660

**CVT-E SPLIT**  
FILE NAME: CVT-13.DWG  
REVISED: MARCH 2016  
[www.oldcastleprecast.com](http://www.oldcastleprecast.com)

**VARIES SPLIT COMPARTMENT  
CONVAULT  
OLDCASTLE PRECAST**  
Copyright © 2016 Oldcastle Precast, Inc.