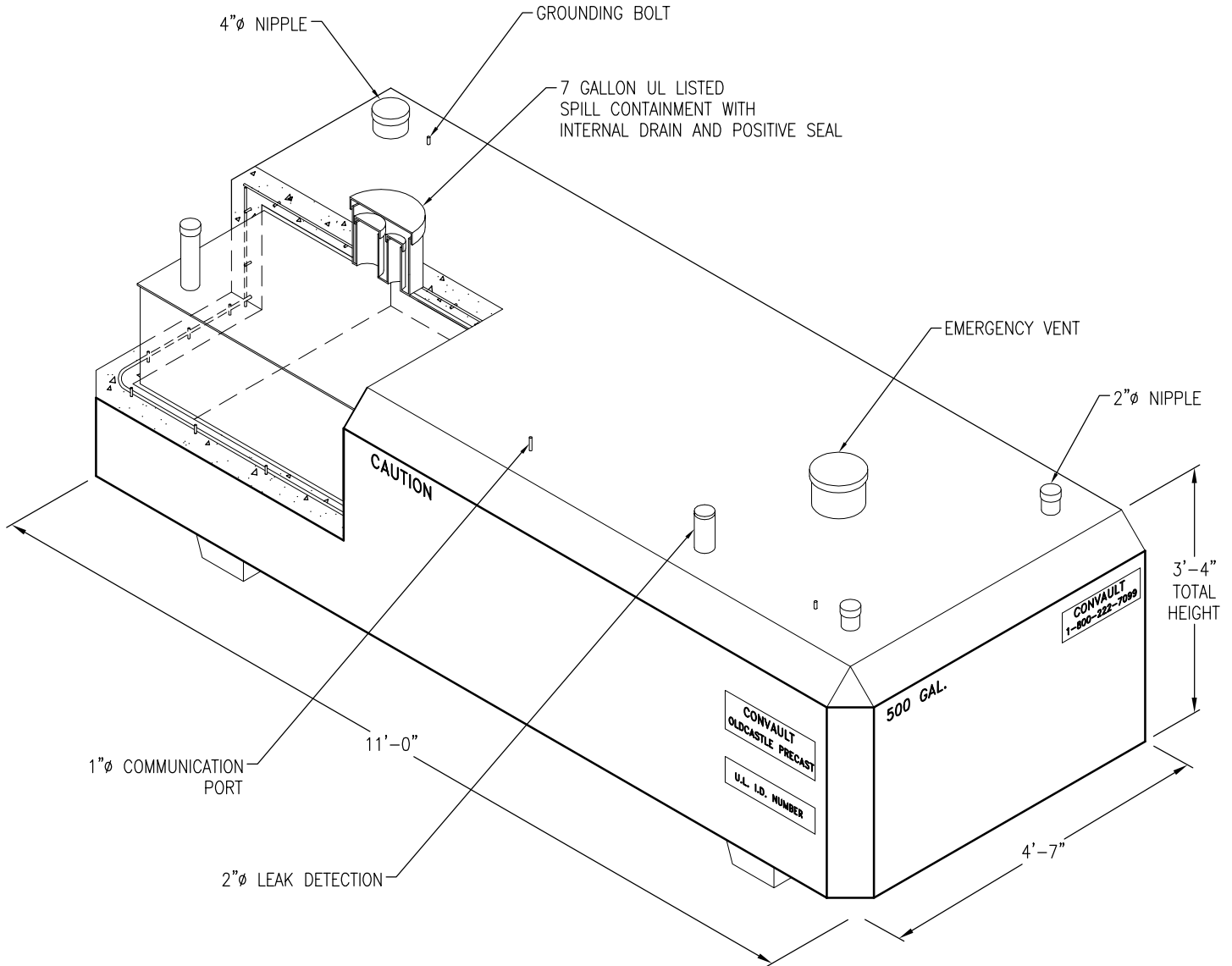
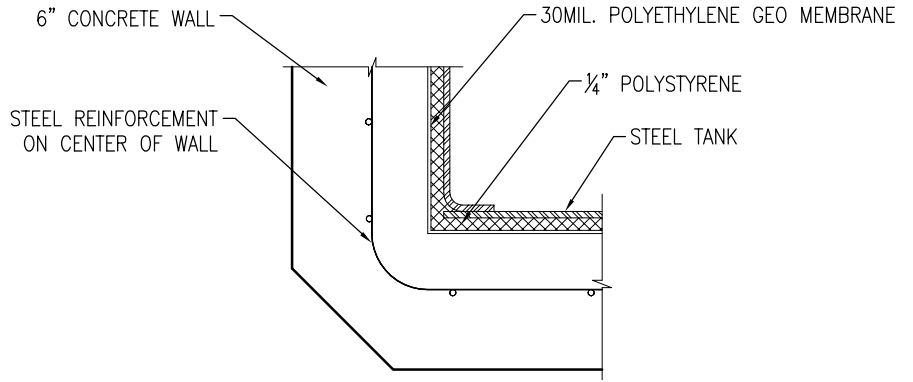


NOTE:
CONVAULT EQUIPMENT AND LAYOUT
VARIES TO SPECIFIC CUSTOMER NEEDS



MEETS UL2085 & UL752 LEVEL 8
APPROXIMATE WEIGHT:
WITHOUT EQUIPMENT 12,000 LBS

DRAWING MAY NOT CONFORM TO THE
MOST CURRENT SPECIFICATION



Oldcastle Precast®
Northern California
Madera ■ Morgan Hill ■ Pleasanton ■ Santa Rosa ■ Stockton ■ Tulare
Phone: 925-750-6650 Fax: 925-750-6660

CVT-500G
FILE NAME: CVT-2.DWG
REVISED: MARCH 2016
www.oldcastleprecast.com

4'-7" X 11'-0" X 3'-4"
**CONVAULT
OLDCASTLE PRECAST**

Copyright © 2016 Oldcastle Precast, Inc.