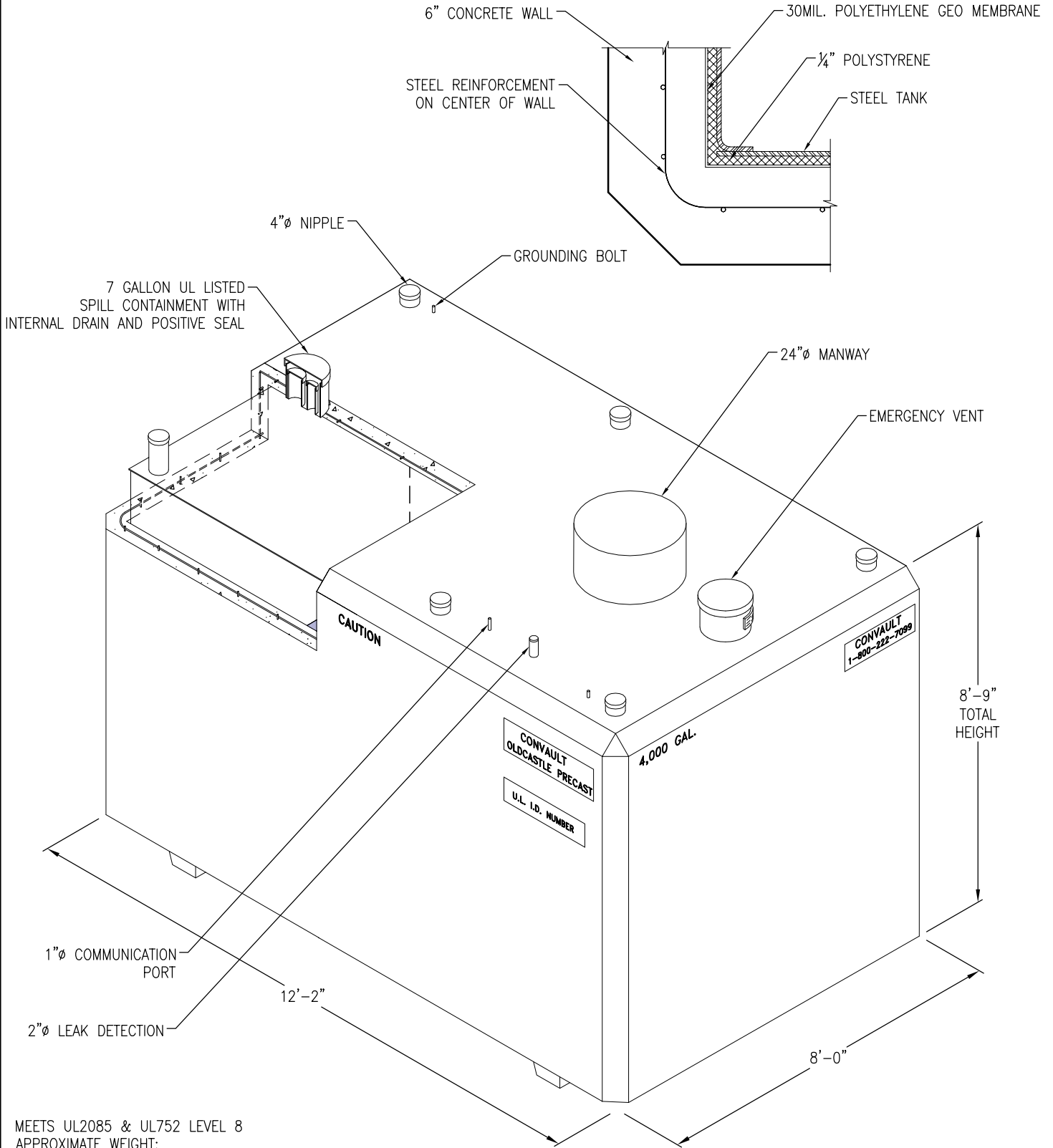


NOTE:
CONVAULT EQUIPMENT AND LAYOUT
VARIES TO SPECIFIC CUSTOMER NEEDS



MEETS UL2085 & UL752 LEVEL 8
APPROXIMATE WEIGHT:
WITHOUT EQUIPMENT 44,000 LBS
WEIGHTS COULD BE UP TO 15% MORE THAN SPECIFIED

DRAWING MAY NOT CONFORM TO THE
MOST CURRENT SPECIFICATION



Oldcastle Precast®
Northern California
Madera ■ Morgan Hill ■ Pleasanton ■ Santa Rosa ■ Stockton ■ Tulare
Phone: 925-750-6650 Fax: 925-750-6660

CVT-4000G
FILE NAME: CVT-6.DWG
REVISED: MARCH 2016
www.oldcastleprecast.com

8'-0" X 12'-2" X 8'-9"
CONVAULT
OLDCASTLE PRECAST

Copyright © 2016 **Oldcastle** Precast, Inc.