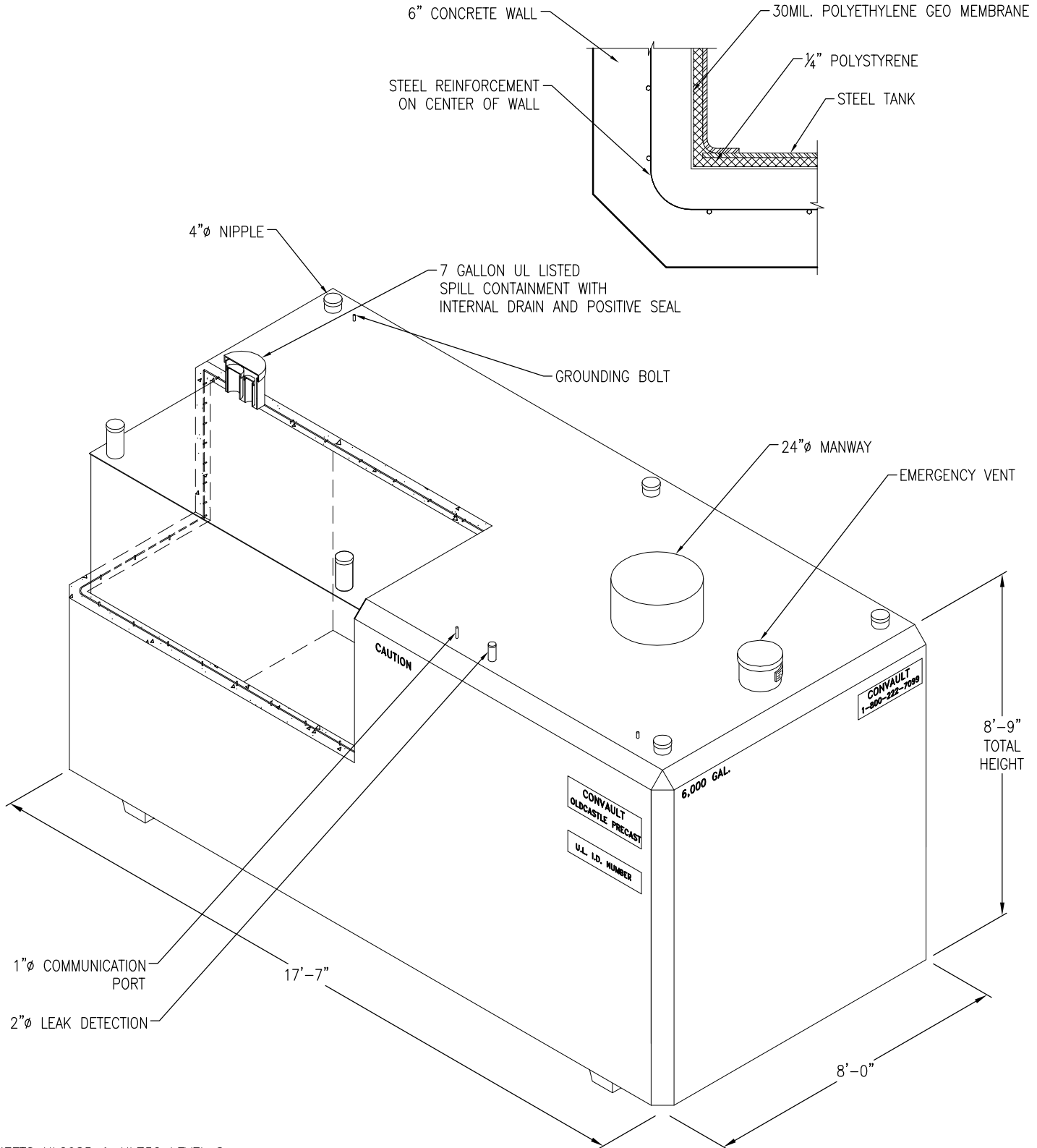


NOTE:  
CONVAULT EQUIPMENT AND LAYOUT  
VARIES TO SPECIFIC CUSTOMER NEEDS



MEETS UL2085 & UL752 LEVEL 8  
APPROXIMATE WEIGHT:  
WITHOUT EQUIPMENT 60,000 LBS

DRAWING MAY NOT CONFORM TO THE  
MOST CURRENT SPECIFICATION



**Oldcastle Precast**<sup>®</sup>  
Northern California  
Madera ■ Morgan Hill ■ Pleasanton ■ Santa Rosa ■ Stockton ■ Tulare  
Phone: 925-750-6650 Fax: 925-750-6660

<b>CVT-6000G</b>
FILE NAME: CVT-8.DWG
REVISED: MARCH 2016
<a href="http://www.oldcastleprecast.com">www.oldcastleprecast.com</a>

**8'-0" X 17'-7" X 8'-9"**  
**CONVAULT**  
**OLDCASTLE PRECAST**

Copyright © 2016 **Oldcastle** Precast, Inc.