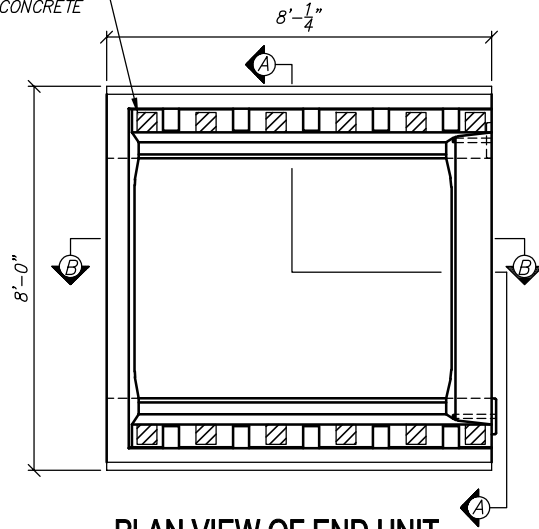


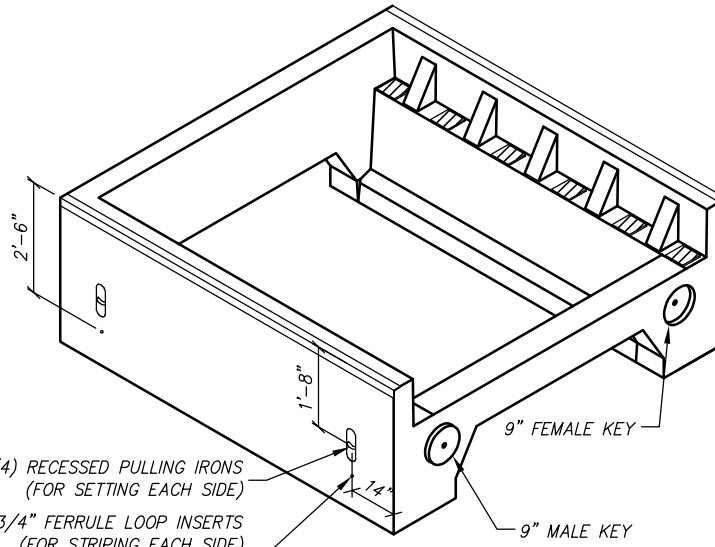
REV	DESCRIPTION	BY	DATE
A	NCS UPDATES	CP	7/6/17

5" X 5" X 3/8" ELASTOMERIC  
50 DUROMETER BEARING PADS  
BONDED TO CONCRETE



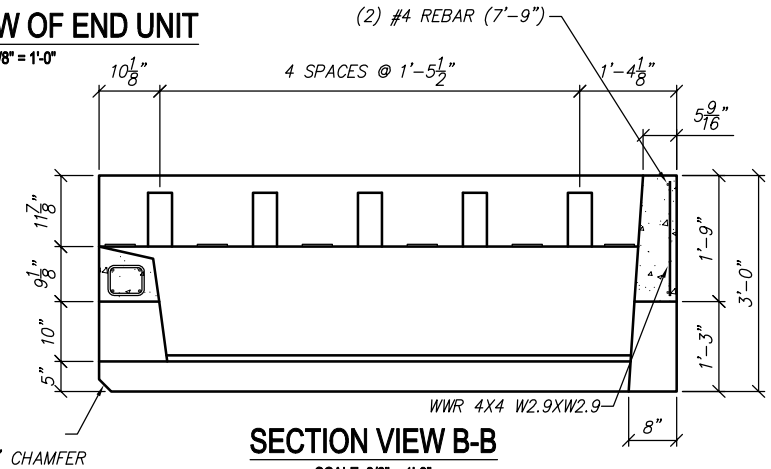
**PLAN VIEW OF END UNIT**

SCALE: 3/8" = 1'-0"



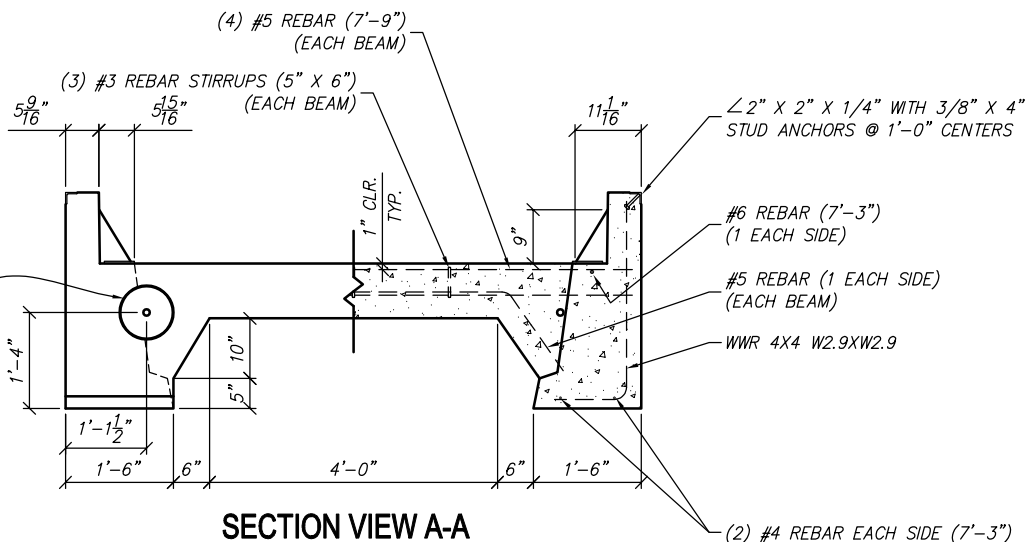
**ISOMETRIC VIEW OF END UNIT**

SCALE: 3/8" = 1'-0"



**SECTION VIEW B-B**

SCALE: 3/8" = 1'-0"



**SECTION VIEW A-A**

SCALE: 3/8" = 1'-0"

SEE KEY DETAIL (G1100-3)



THIS DOCUMENT IS THE PROPERTY OF OLDCASTLE PRECAST, INC. IT IS CONFIDENTIAL, SUBMITTED FOR REFERENCE PURPOSES ONLY, AND SHALL NOT BE USED IN ANY WAY INJURIOUS TO THE INTERESTS OF, OR WITHOUT THE WRITTEN PERMISSION OF OLDCASTLE PRECAST, INC. COPYRIGHT ©2017 OLDCASTLE PRECAST, INC. ALL RIGHTS RESERVED

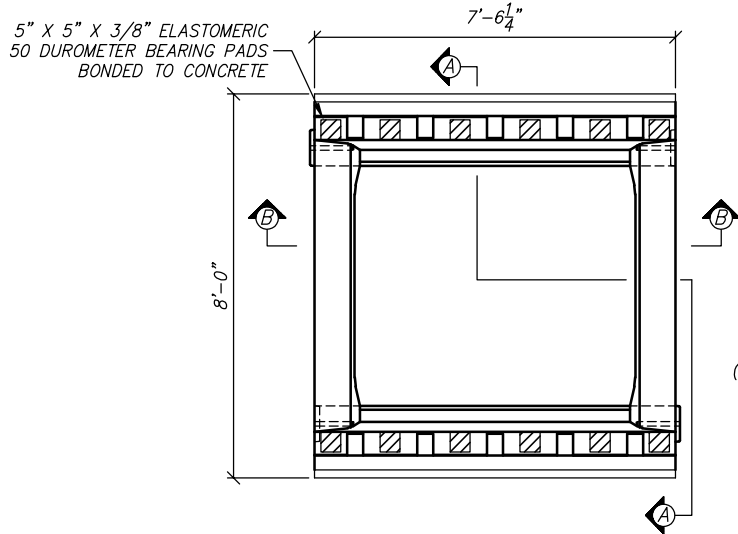
**PRECAST CONCRETE CATTLEGUARD**

END SECTION  
9" MALE AND FEMALE KEYS

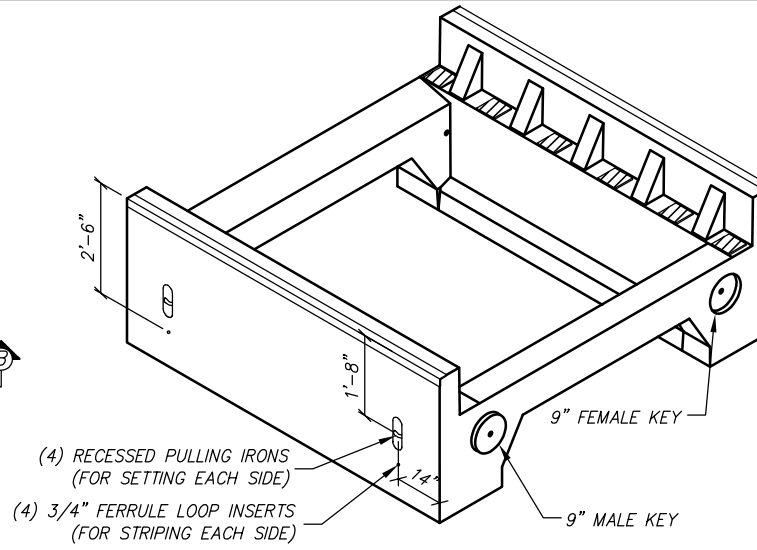
CUSTOMER  
**STANDARD**

DATE	SALES	DRAWN	ENGINEER	CHECKED	SALES ORDER
9/10/01		AT			---
DRAWING NUMBER				REVISION	SHEET
G1100-1				REV DATE	1 OF 3

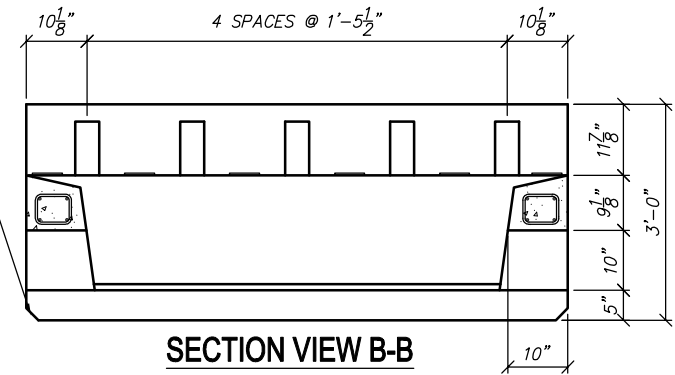
REV	DESCRIPTION	BY	DATE
A	NCS UPDATES	CP	7/6/17



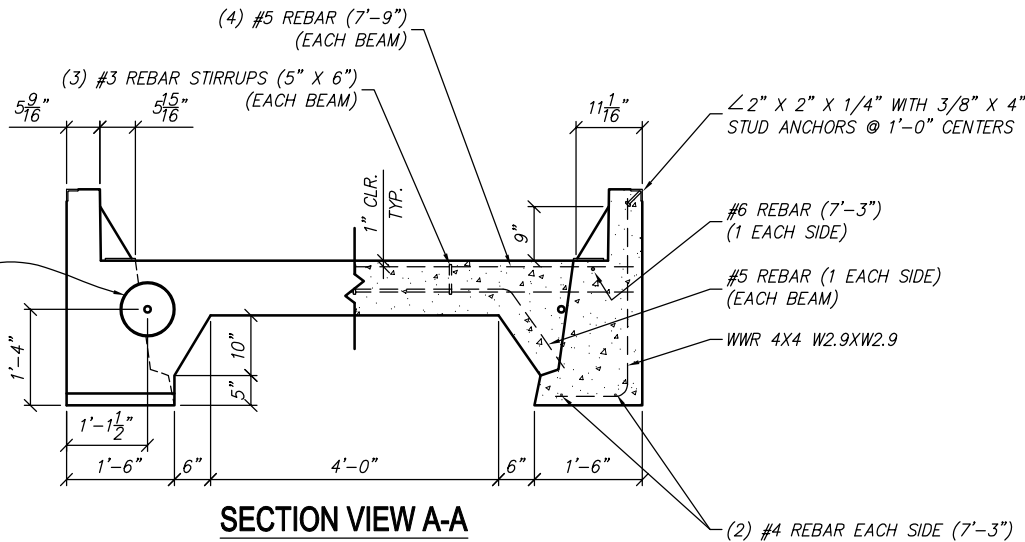
SCALE: 3/8" = 1'-0"



SCALE: 3/8" = 1'-0"



SCALE: 3/8" = 1'-0"



SCALE: 3/8" = 1'-0"

SEE KEY DETAIL (G1100-3)



THIS DOCUMENT IS THE PROPERTY OF OLDCASTLE PRECAST, INC. IT IS CONFIDENTIAL, SUBMITTED FOR REFERENCE PURPOSES ONLY, AND SHALL NOT BE USED IN ANY WAY INJURIOUS TO THE INTERESTS OF, OR WITHOUT THE WRITTEN PERMISSION OF OLDCASTLE PRECAST, INC. COPYRIGHT ©2017 OLDCASTLE PRECAST, INC. ALL RIGHTS RESERVED

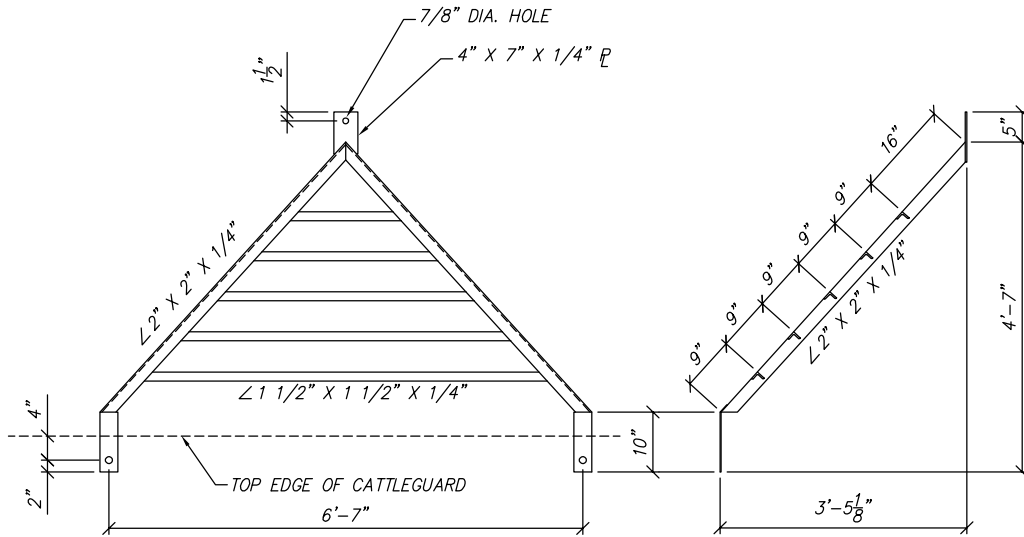
**PRECAST CONCRETE CATTLEGUARD**

CENTER SECTION  
9" MALE AND FEMALE KEYS

CUSTOMER  
**STANDARD**

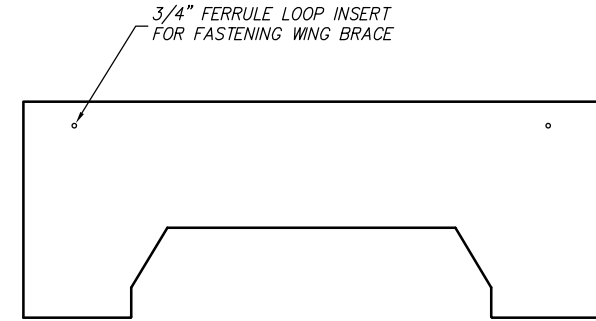
DATE	SALES	DRAWN	ENGINEER	CHECKED	SALES ORDER
9/10/01	AT	AT			
DRAWING NUMBER				REVISION	SHEET
G1100-2				REV DATE	2 OF 3

REV	DESCRIPTION	BY	DATE
A	NCS UPDATES	CP	7/6/17



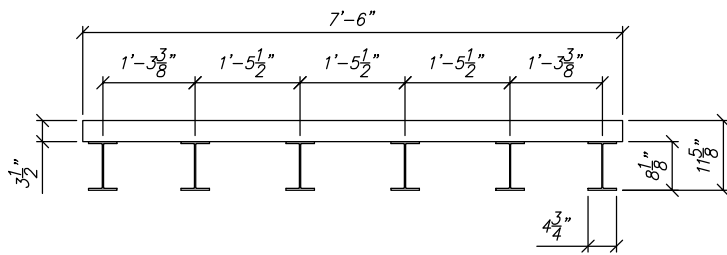
**WING BRACE DETAIL**

SCALE: 3/8"=1'-0"



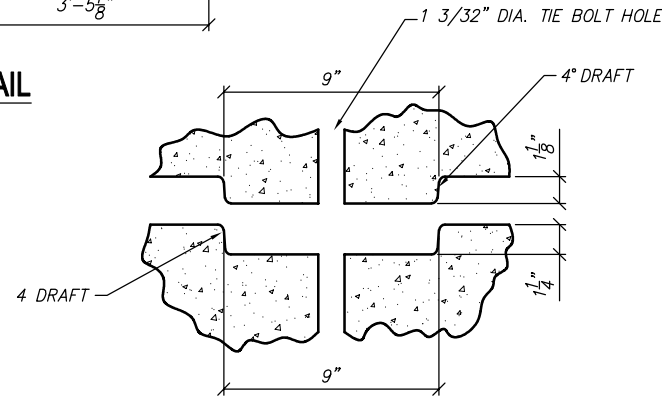
**END VIEW OF END SECTION**

SCALE: 3/8"=1'-0"



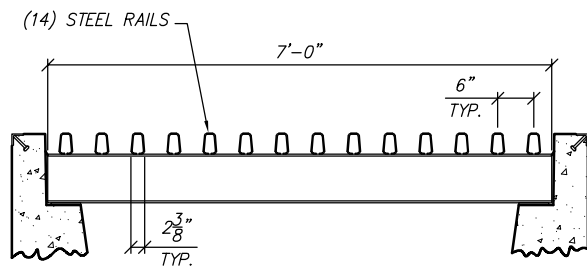
**TRAFFIC GRILLE UNIT**

SCALE: 3/8"=1'-0"



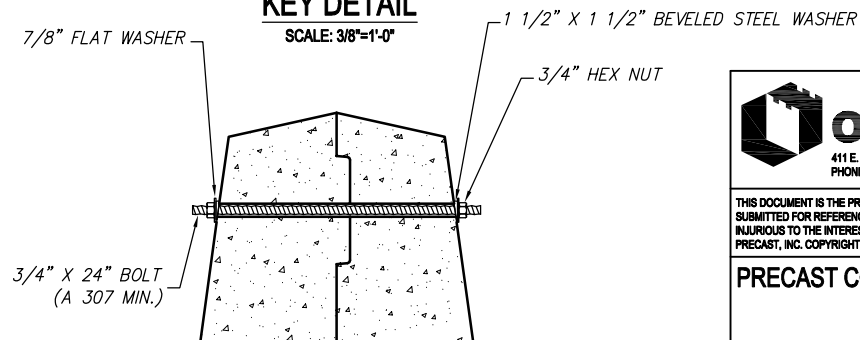
**KEY DETAIL**

SCALE: 3/8"=1'-0"



**SECTION OF TRAFFIC GRILLE**

SCALE: 3/8"=1'-0"



**THE BOLT DETAIL**

SCALE: 3/8"=1'-0"

**Oldcastle Precast**<sup>®</sup>  
 411 E. FRYE RD. CHANDLER, AZ 85225  
 PHONE: (480) 963-2878

THIS DOCUMENT IS THE PROPERTY OF OLDCASTLE PRECAST, INC. IT IS CONFIDENTIAL, SUBMITTED FOR REFERENCE PURPOSES ONLY, AND SHALL NOT BE USED IN ANY WAY INJURIOUS TO THE INTERESTS OF, OR WITHOUT THE WRITTEN PERMISSION OF OLDCASTLE PRECAST, INC. COPYRIGHT ©2017 OLDCASTLE PRECAST, INC. ALL RIGHTS RESERVED

**PRECAST CONCRETE CATTLEGUARD**

9" MALE AND FEMALE KEYS

CUSTOMER  
**STANDARD**

DATE	SALES	DRAWN	ENGINEER	CHECKED	SALES ORDER
5/13/96		JM			---
DRAWING NUMBER				REVISION	SHEET
G1100-3				---	3 OF 3
				REV DATE	---