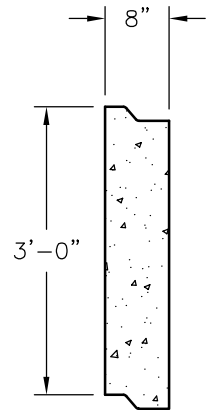
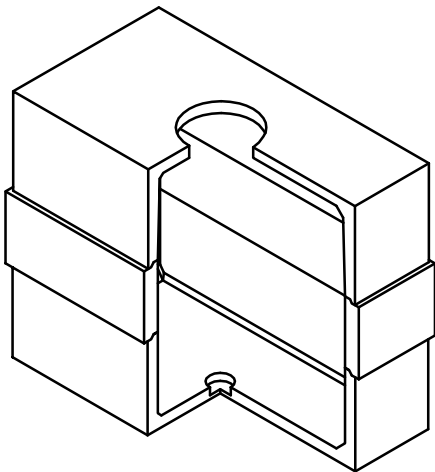
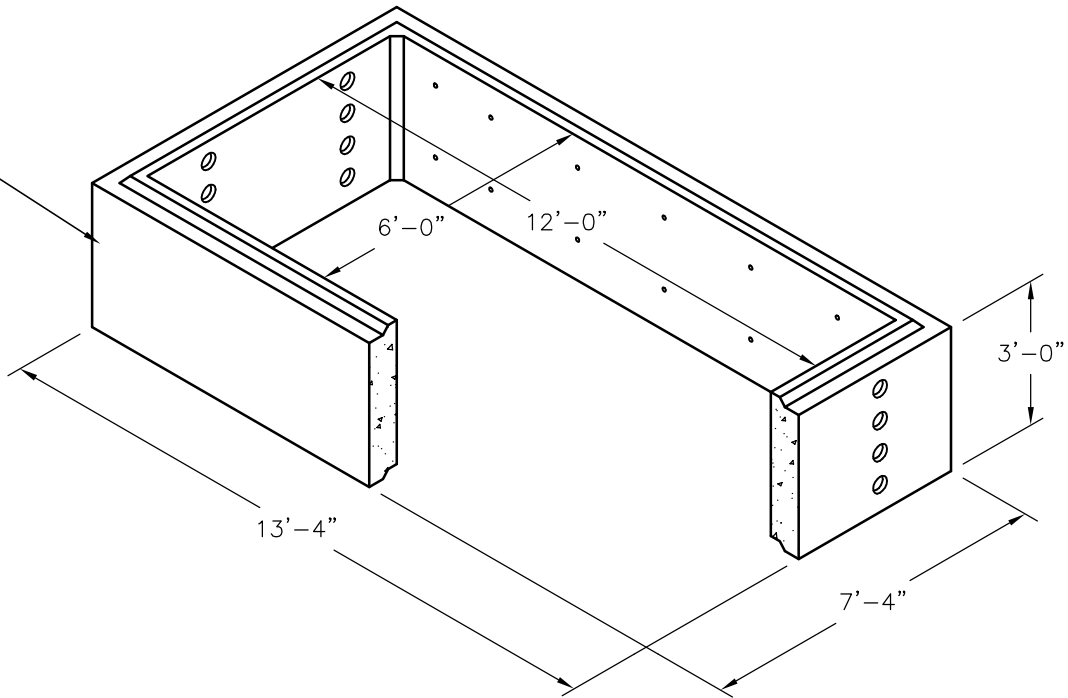


**EXTENSION
NO. 612-3X**
12,000 Lbs.



SECTION

SCALE: 1/4"=1'-0"

**RISER - 612 3FT CONCRETE FOR 612 VAULTS
612-3X RISER OLDCASTLE PRECAST, INC.**



Oldcastle Precast®

411 E. Frye Rd., Chandler, Arizona 85225
Tel: (480) 963-2678 Fax: (480) 899-1937

612-3X RISER

FILE NAME: 040UEE6123XEXI.DWG

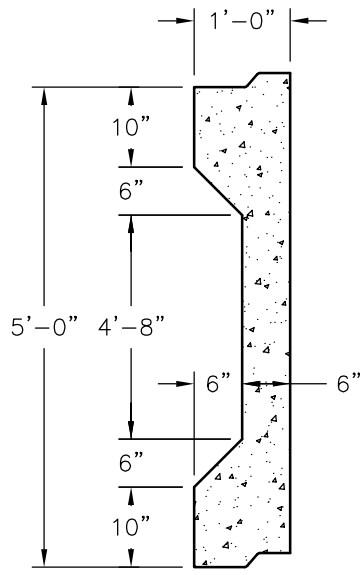
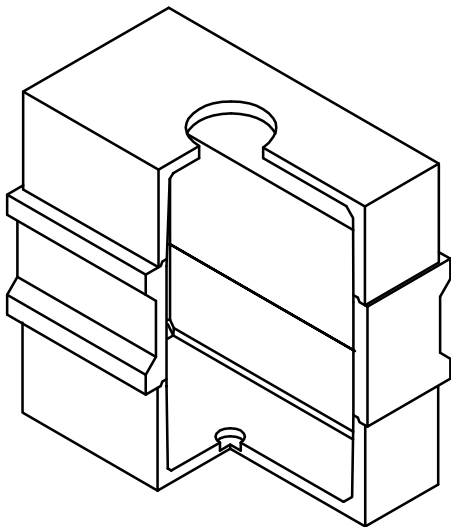
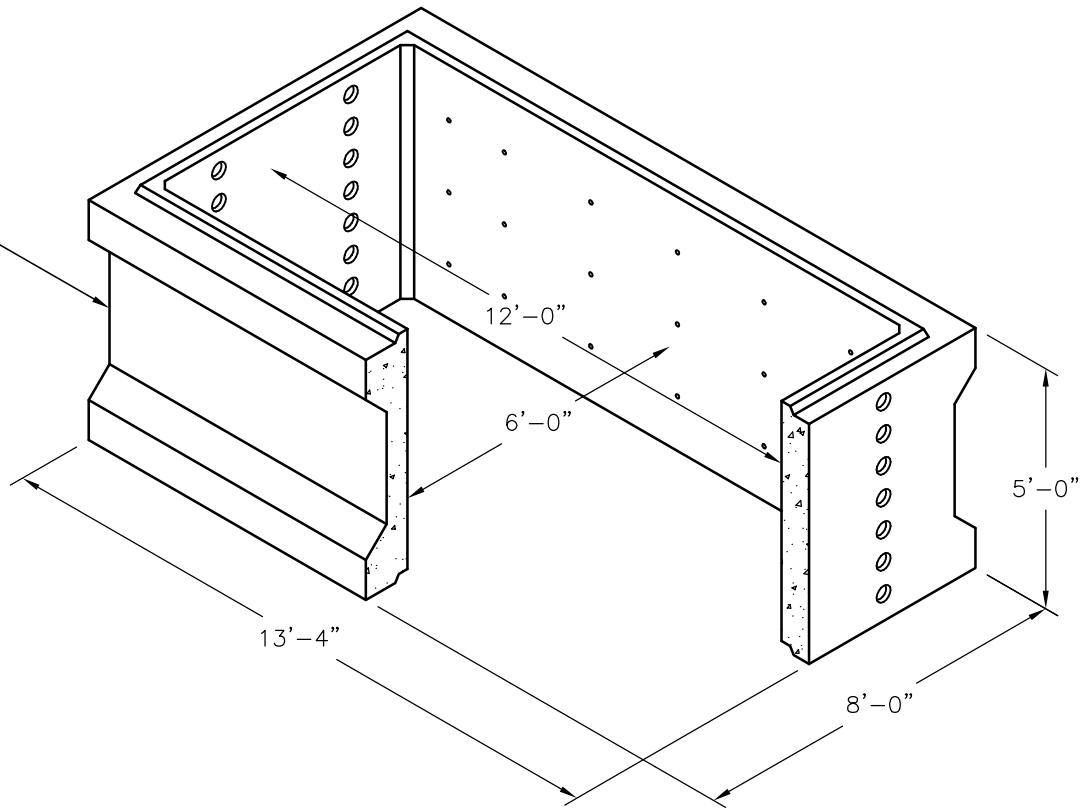
ISSUE DATE: JANUARY, 2015

www.oldcastleprecast.com

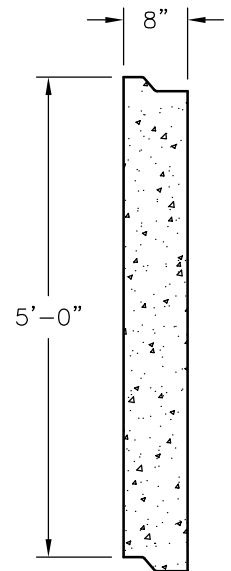
**CENTURY LINK 3'-0" EXTENSION
MATERIAL # 1178010
STANDARD LAYOUT**

Copyright © 2015 Oldcastle Precast, Inc.

**EXTENSION
NO. 612-5X**
20,000 Lbs.



SECTION AT SIDES



SECTION AT ENDS

SCALE: 1/4"=1'-0"



Oldcastle Precast®

411 E. Frye Rd., Chandler, Arizona 85225
Tel: (480) 963-2678 Fax: (480) 899-1937

5'-0" EXTENSION

FILE NAME: 040UEE6125XEXI.DWG

ISSUE DATE: JANUARY, 2015

www.oldcastleprecast.com

CENTURY LINK 5'-0" EXTENSION

MATERIAL #

STANDARD LAYOUT

Copyright © 2015 Oldcastle Precast, Inc.