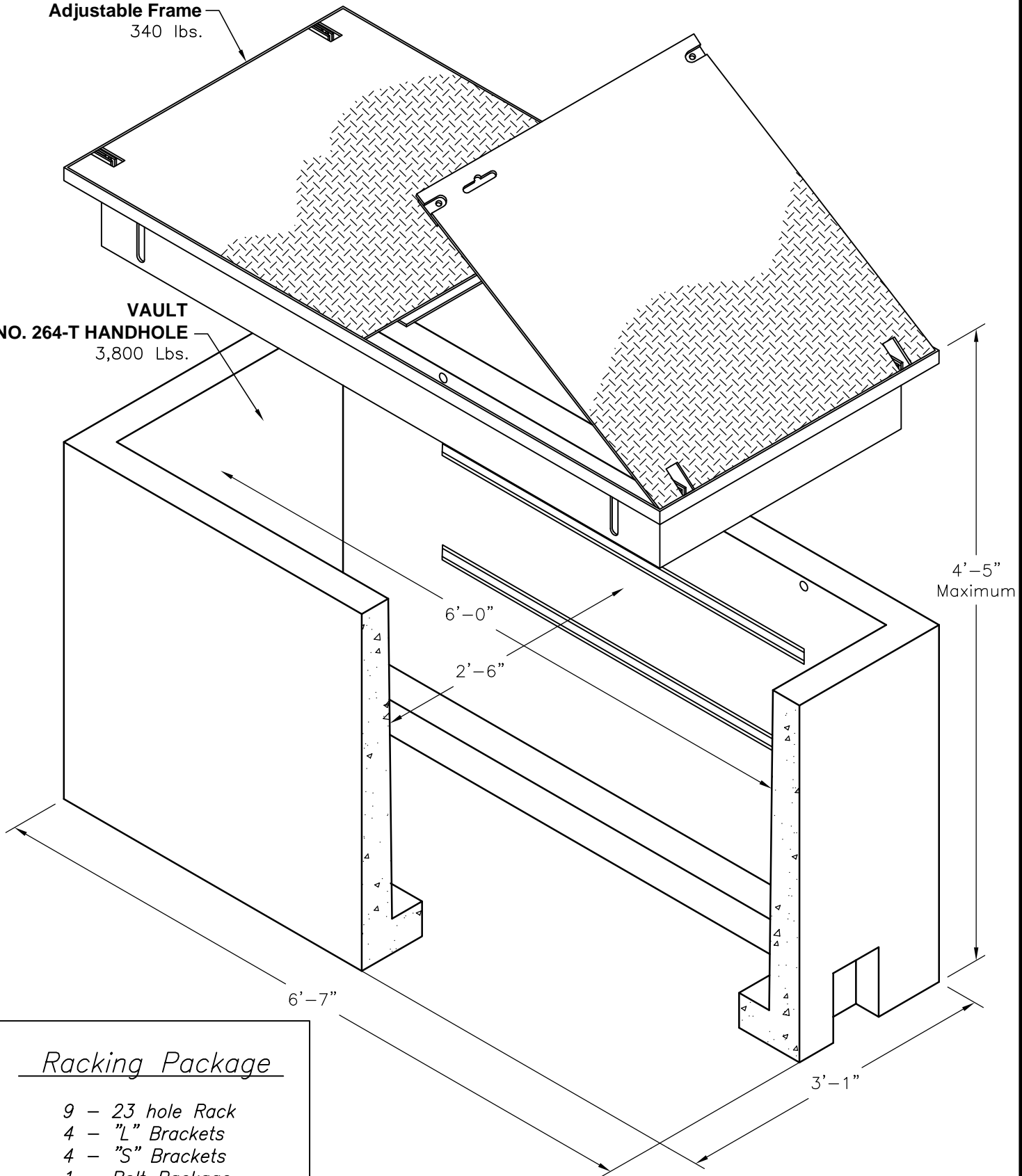


**264-TA Cover With
Adjustable Frame**
340 lbs.

**VAULT
NO. 264-T HANDHOLE**
3,800 Lbs.



4'-5"
Maximum

6'-0"

2'-6"

6'-7"

3'-1"

Racking Package

- 9 - 23 hole Rack
- 4 - "L" Brackets
- 4 - "S" Brackets
- 1 - Bolt Package

SCALE: 3/4"=1'-0"

**CONCRETE HANDHOLE, PRECAST
ASSEMBLY 264TA WITH NON-SKID DOOR**



CENTURY LINK 264-TA

FILE NAME: 040UTT264TAI.DWG

ISSUE DATE: JANUARY, 2015

www.oldcastleprecast.com

**HANDHOLE 2X6X4
MATERIAL # 1249343
FOR USE STATEWIDE**

411 E. Frye Rd., Chandler, Arizona 85225
Tel: (480) 963-2678 Fax: (480) 899-1937

Copyright © 2015 Oldcastle Precast, Inc.