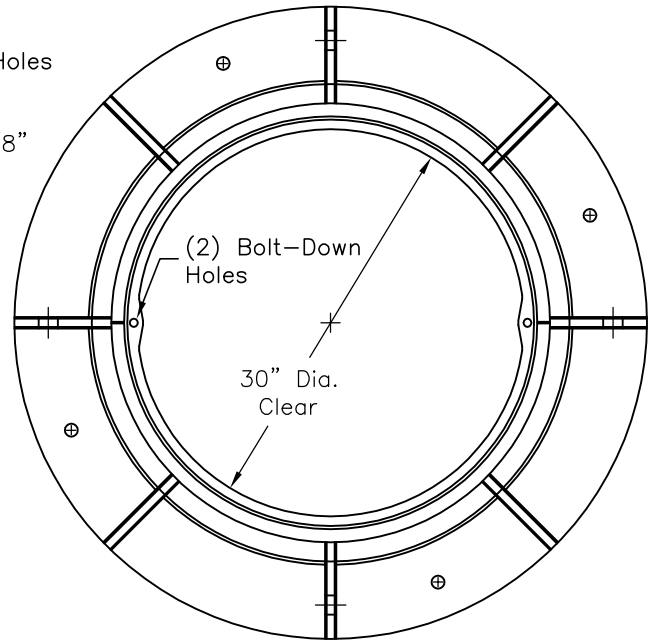
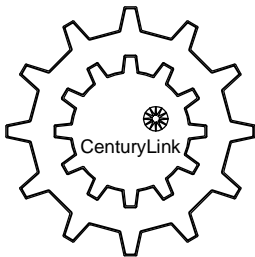


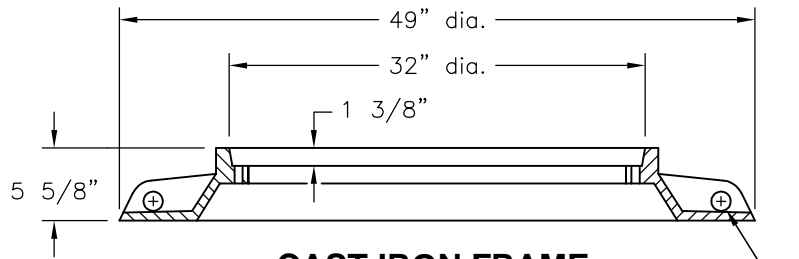
CAST IRON COVER
SUITABLE FOR USE IN TRAFFIC AREAS
WT. 305 lbs



FRAME - PLAN



LOGO - DETAIL



CAST IRON FRAME

No. SB-30 (4) Lift Holes
WT. 355 lbs 1 3/8" Dia.

MATERIAL # 1152654
FRAME MANHOLE COVER SET SB 30
CA6572 182000-A1 OLDCASTLE



411 E. Frye Rd., Chandler, Arizona 85225
Tel: (480) 963-2678 Fax: (480) 899-1937

FRAME & COVER

FILE NAME: 040UAHQWESTI.DWG

ISSUE DATE: MARCH, 2004

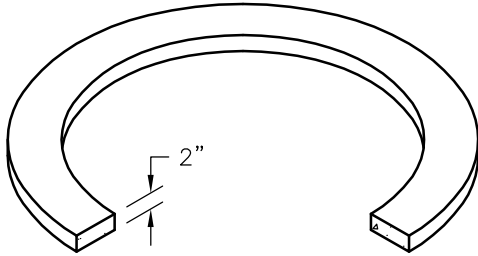
www.oldcastleprecast.com

CENTURY LINK
30" DIA. CLEAR OPENING
STANDARD LAYOUT

Copyright © 2014 Oldcastle Precast, Inc.

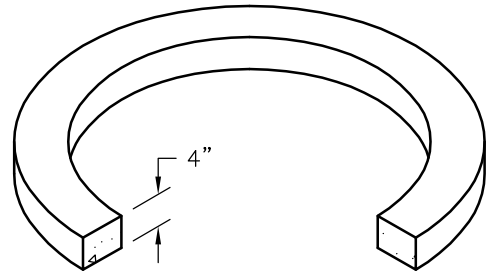
MATERIAL # 1152721
 BOLT ON STEP
 STEP MANHOLE C CA6759 12B33
 (USE ON 6" & 12" GRADE RING ONLY)

MATERIAL # 1165569
 GASKET 11' PER ROLL
 (ONE ROLL PER GRADE RING)



NO. GR3702
 37" Inside diameter
 48" Outside diameter
 130 lbs.

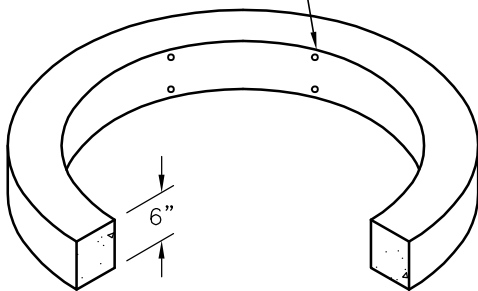
MATERIAL # 1152691



NO. GR3704
 37" Inside diameter
 48" Outside diameter
 260 lbs.

MATERIAL # 1152692

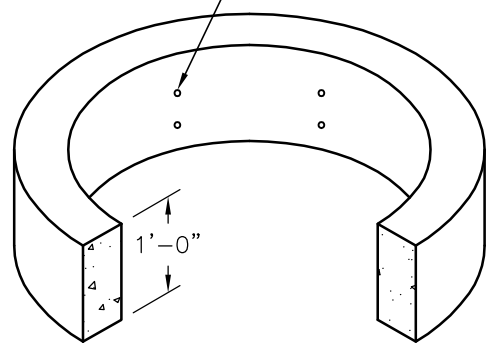
(4) Ladder/Step Inserts



NO. GR3706
 37" Inside diameter
 48" Outside diameter
 390 lbs.

MATERIAL # 1152693

(4) Ladder/Step Inserts



NO. GR3712
 37" Inside diameter
 48" Outside diameter
 780 lbs.

MATERIAL # 1152690

SCALE: 1/2"=1'-0"



Oldcastle Precast[®]

411 E. Frye Rd., Chandler, Arizona 85225
 Tel: (480) 963-2678 Fax: (480) 899-1937

GRADE RINGS

FILE NAME: 040UEEGDRINGSI.DWG

ISSUE DATE: JUNE, 2001

www.oldcastleprecast.com

**RINGS & REDUCER
 GRADE RINGS
 STANDARD LAYOUT**

Copyright © 2015 Oldcastle Precast, Inc.