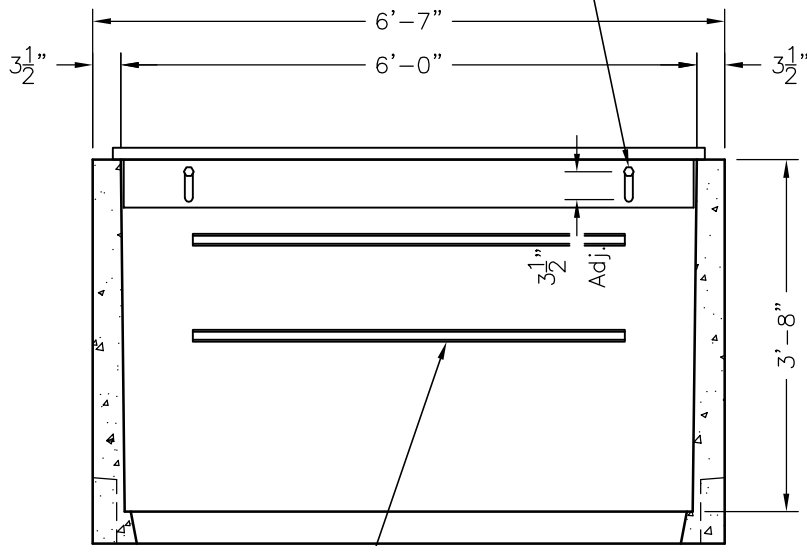


Plan View

Racking Package

- 9 - 23 hole Rack
- 4 - "L" Brackets
- 4 - "S" Brackets
- 1 - Bolt Package

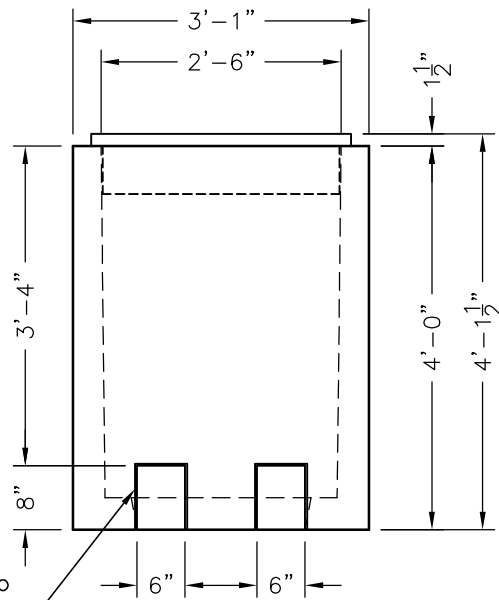
(4) 5/8" Thin Wall Inserts
For Adjusting Door
(2 Each Side)



(4) P4000 Unistrut (4'-8")
(2 Each Side)

(4) 8" x 6" x 3" Deep
Knockouts
(2 Each End)

Section View



End View

SCALE: 1/2" = 1'-0"



Oldcastle Precast

411 E. Frye Rd., Chandler, Arizona 85225
Tel: (480) 963-2678 Fax: (480) 899-1937

CENTURY LINK 264-TA

FILE NAME: O4OUTT264TA.DWG

ISSUE DATE: JANUARY, 2015

www.oldcastleprecast.com

**HANDHOLE 2X6X4
MATERIAL # 1249343
FOR USE STATEWIDE**

Copyright © 2015 Oldcastle Precast, Inc.