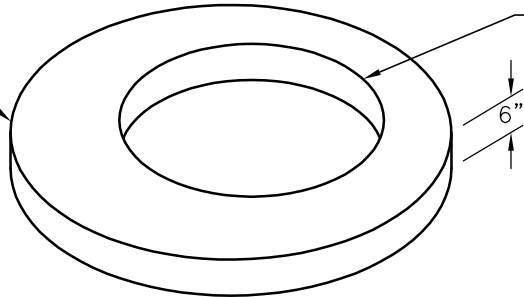


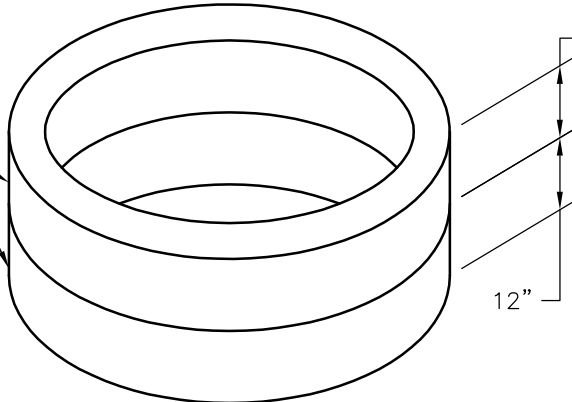
**48" DIA. STAKABLE  
TOP SLAB**  
940 LBS.



PLUS 4" AND 2"  
GRADE RING AND  
CAST IRON COVER

6"

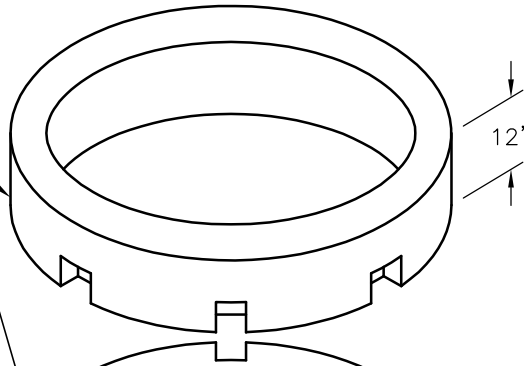
**48" DIA. STAKABLE  
12" RISER #1**  
1,060 LBS. EACH



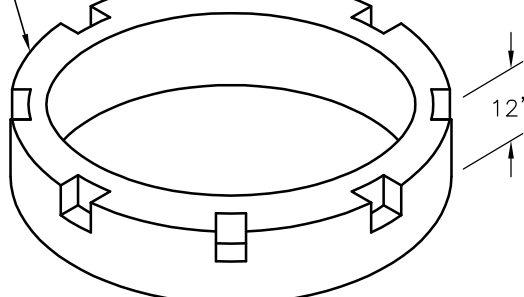
12"

12"

**48" DIA. STAKABLE  
12" RISER #2**  
1,010 LBS. EACH

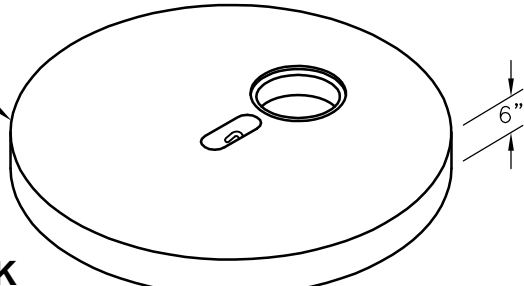


12"



12"

**48" DIA. STAKABLE  
BASE SLAB**  
1,430 LBS.



6"

**CENTURY LINK**

**CONCRETE PULLBOX  
STACKABLE 48" DIA. -  
ASSEMBLY WITH CAST IRON,  
AND LID, WITH 6" OF GRADE  
RING, CAST IRON RING AND  
COVER**



**48"-TA STACKABLE**

FILE NAME: 040UTT48STTAI.DWG

ISSUE DATE: JULY, 2014

[www.oldcastleprecast.com](http://www.oldcastleprecast.com)

**4'-0" DIA x 4'-0" ID  
MATERIAL # 1152657  
STANDARD LAYOUT**

Copyright © 2014 Oldcastle Precast, Inc.

411 E. Frye Rd., Chandler, Arizona 85225  
Tel: (480) 963-2678 Fax: (480) 899-1937