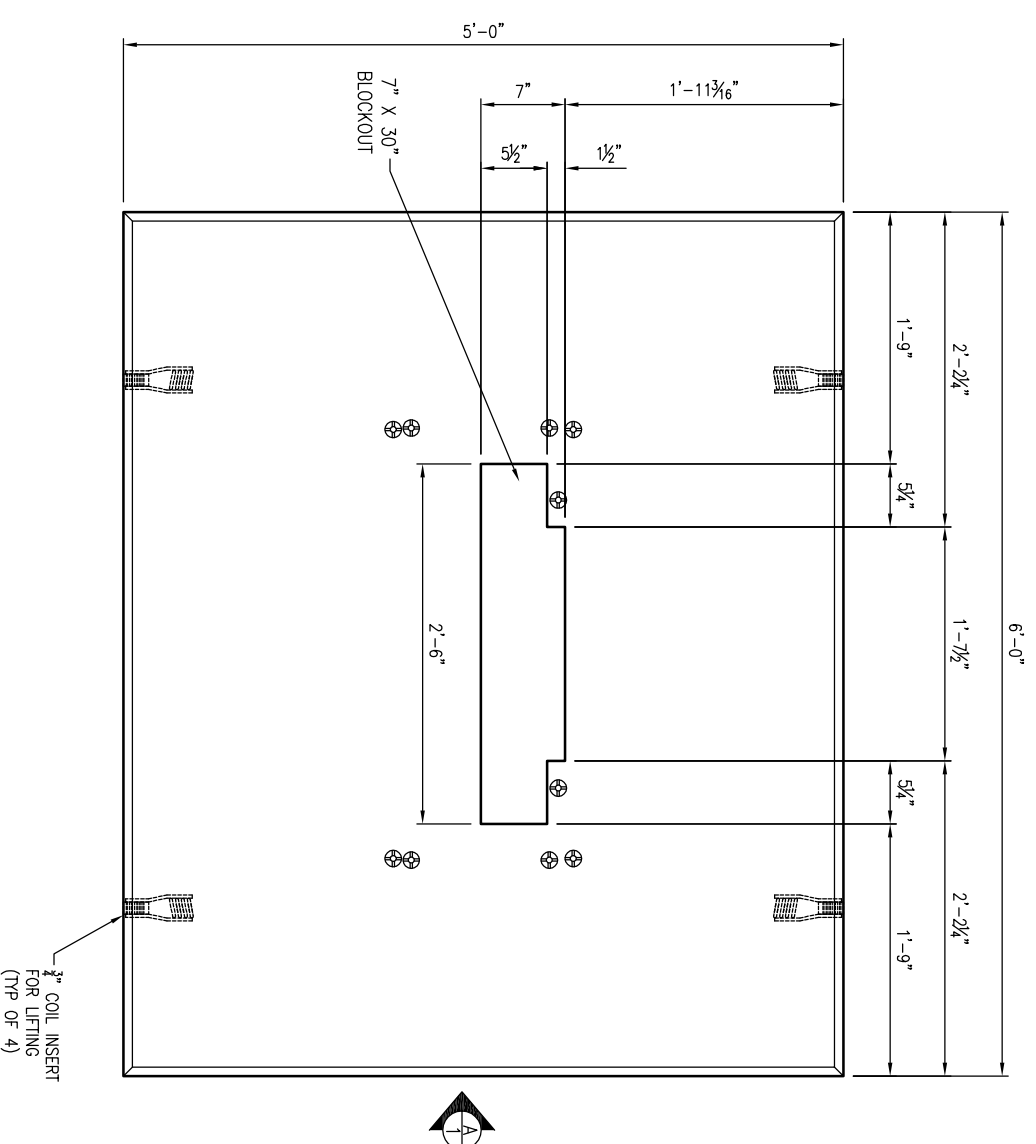
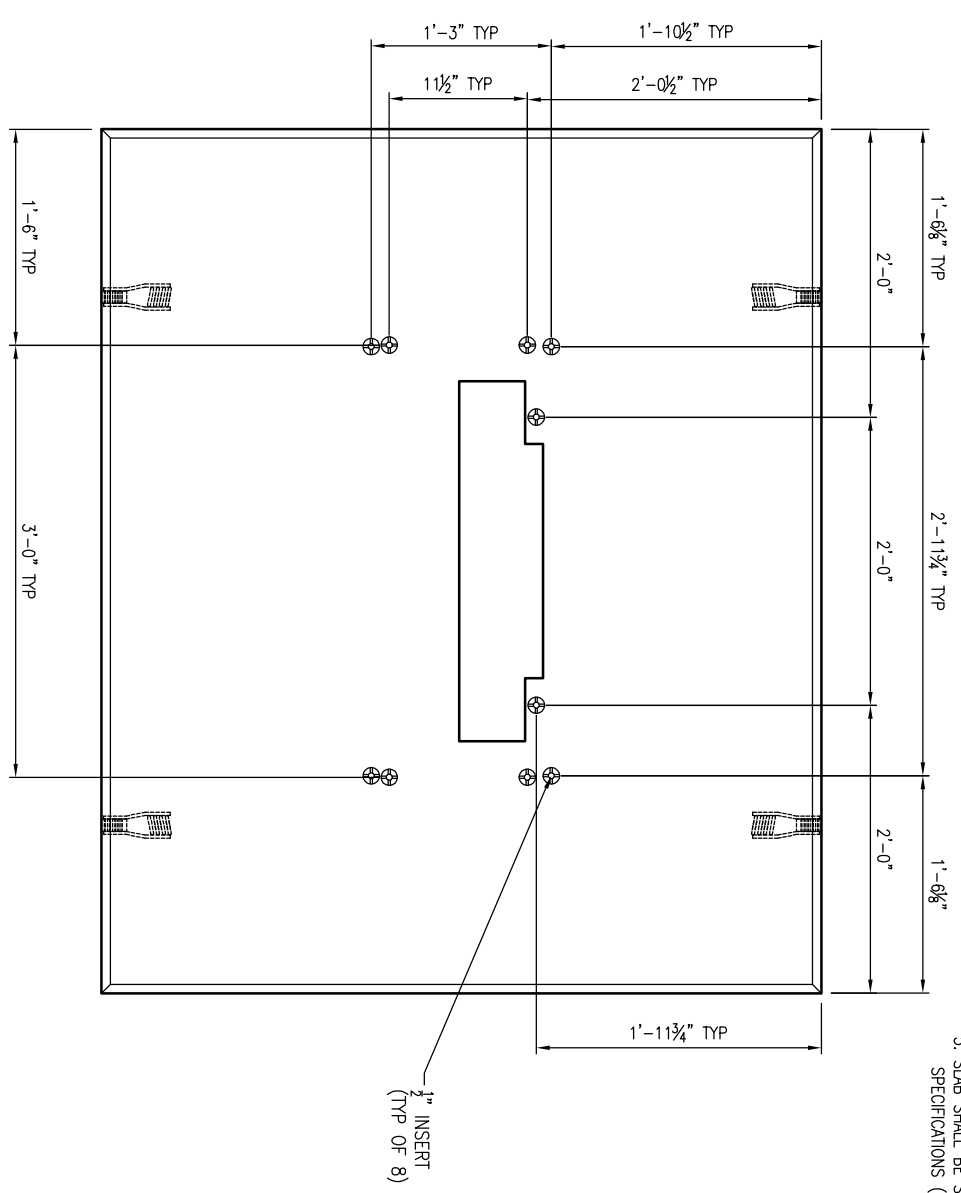


GENERAL NOTES:

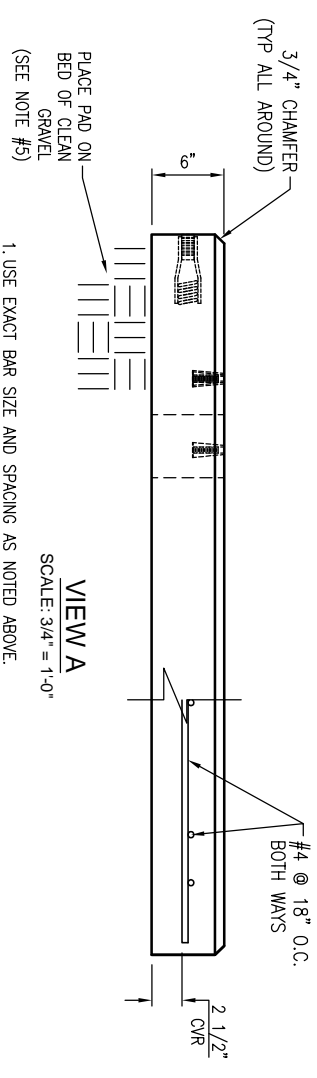
1. CONCRETE: 28 DAY COMPRESSIVE STRENGTH $f'_c = 4,000$ PSI (MIN).
2. REINFORCING: ASTM A-615, GRADE 60.
3. SLAB DESIGNED FOR EITHER THE OPTTECT LS 576 [160 LBS] (MIN) OR LS-864 [251 LBS] (MAX) CABINETS LOAD ONLY.
4. SLAB DESIGNED FOR 150 MPH WIND LOAD, IN ACCORDANCE WITH ASCE 7-10, EXPOSURE CATEGORY C, RISK CATEGORY 2.
5. SLAB SHALL BE SUPPORTED IN ACCORDANCE WITH AT&T PROJECT SPECIFICATIONS (I.E. LEVEL AND COMPACTED BEARING SURFACE).



PLAN VIEW (BLOCKOUT LAYOUT)
SCALE: 3/4" = 1'-0"

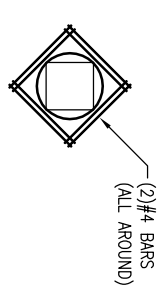


PLAN VIEW (INSERT LAYOUT)
SCALE: 3/4" = 1'-0"



VIEW A
SCALE: 3/4" = 1'-0"

1. USE EXACT BAR SIZE AND SPACING AS NOTED ABOVE.
2. ALL STEEL CUT OUT FOR OPENINGS WILL BE REPLACED. HALF REINFORCEMENT ON EACH SIDE OF OPENING. INCLUDE (2) ADDITIONAL #4 DIAGONAL BARS AROUND OPENING (SEE TYPICAL REINFORCEMENT FOR ALL OPENINGS)



TYPICAL REINFORCEMENT FOR OPENINGS
SCALE: N.T.S.

SECTION	WEIGHT (lbs)	Concrete (CY)
6" SLAB	2,250	0.56

Oldcastle Precast
4605 STOUGH RD. CONCORD, NC
 OFFICE: 703-788-4861 FAX: 703-788-4880
 NC ENGINEERING LICENSE #E-1002

THIS DOCUMENT IS THE PROPERTY OF OLDCASTLE PRECAST, INC. IT IS COMPREHENSIVE AND NOT TO BE REPRODUCED OR TRANSMITTED IN ANY FORM OR BY ANY MEANS, ELECTRONIC OR MECHANICAL, INCLUDING PHOTOCOPYING, RECORDING, OR BY ANY INFORMATION STORAGE AND RETRIEVAL SYSTEM, WITHOUT THE WRITTEN PERMISSION OF OLDCASTLE PRECAST, INC. COPYRIGHT © 2014 OLDCASTLE PRECAST, INC. ALL RIGHTS RESERVED.

5X6X6" OD OPTTECH LS CABINET PAD
SUBMITTAL LAYOUT

FDH LS-576 & LS-864 CABINETS

CUSTOMER		SALES ORDER	
AT & T (PIN# ATT:100089338)			
DATE	DRAWN	ENGINEER	CHECKED
7/7/14	LD		
DRAWING NUMBER	REVISION	SHEET	
Coming-LS576-864		1 OF 1	

REVISION	DATE	BY	SHEET	DESCRIPTION OF REVISION	REQUESTED BY
A					
B					

REVISIONS