

PIPE DIMENSIONS & WEIGHTS

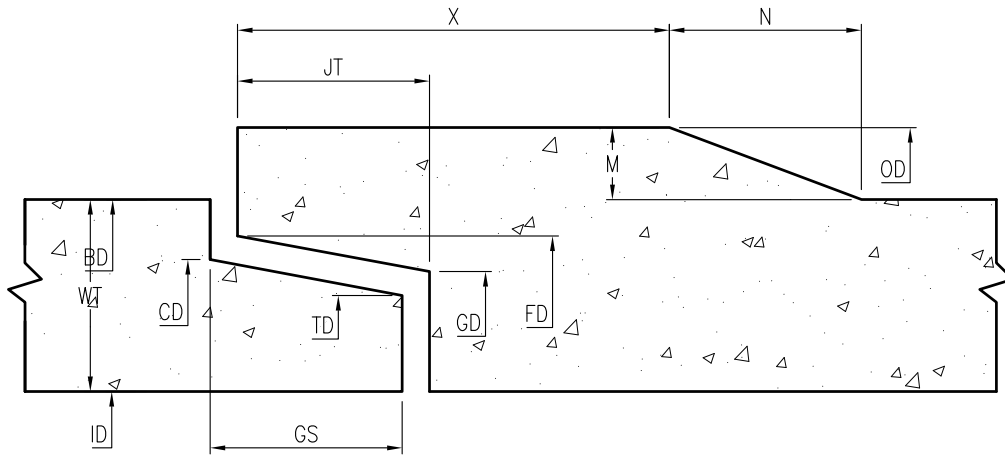
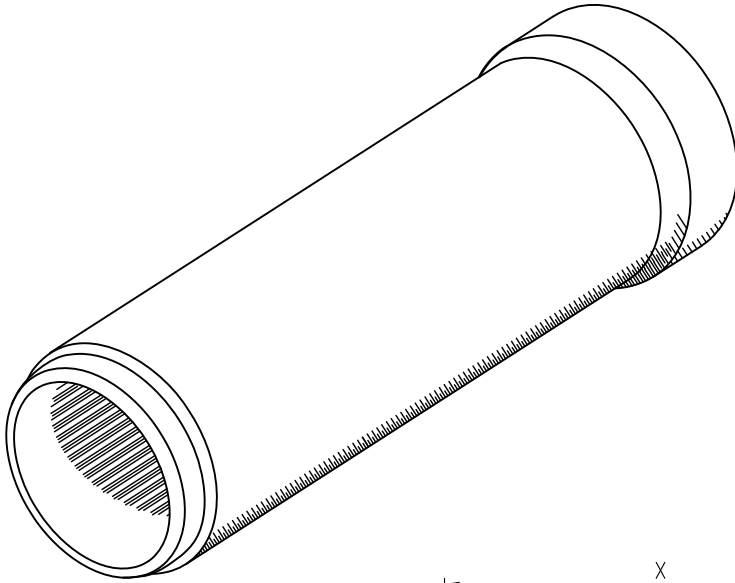
ID	WT	JT	GD	BD	TD	CD	FD	GS	M	N	X	OD	WEIGHT (lbs/ft)	PLANT	AVAIL LENGTH
12"	B-2"	2"	15 1/4"	16 1/2"	14 3/8"	14 3/4"	15 7/16"	2"	1 13/32"	2 7/16"	5 3/4"	19 5/16"	99	VAN	4' & 8'
15"	B-2 1/4"	2"	17"	19 1/2"	16 15/16"	17 1/4"	17 3/4"	2"	7/8"	1 1/4"	4 1/2"	21 1/4"	134	VAN	4' & 8'
18"	B-2 1/2"	2"	20 1/2"	23"	20"	20 3/4"	21 1/4"	2"	3/4"	1 1/4"	6 1/2"	24 1/4"	173	VAN	4' & 8'
24"	B-3"	2 13/16"	27"	30"	26 3/16"	26 7/8"	27 3/4"	2 1/2"	1/2"	1 1/2"	4 1/4"	31"	268	VAN	4' & 8'

PIPE DESIGN SPECIFICATIONS:

1. ASTM C 76-LATEST CLASS III, IV, & V
2. AASHTO M-170-LATEST
3. MEETS ALL NCDOT SPECIFICATIONS

JOINT DESIGN SPECIFICATIONS:

1. AASHTO M-198-LATEST
2. ASTM C-990-LATEST
3. FED. SPEC. SS-S-210(210A)



JOINT DETAIL
SCALE: NTS



TO ORDER PLEASE SPECIFY

SIZE	CLASS	JOINT TYPE	JOINT SEALANT	LENGTH
		TG		
		TG		
		TG		

SIZE:
INSIDE DIA. (INCH)

CLASS:
C3, C4, C5

JOINT TYPE:
TG= TONGUE & GROOVE
SO= SINGLE OFFSET
OR= O-RING

JOINT SEALANT:
M= MORTAR
C= CONSEAL CS-102

LENGTH:
PER TABLE



Oldcastle Precast[®]

920 WITHERS ROAD RALEIGH, NC 27603
OFFICE 919-772-6301, FAX 919-772-1209

NC ENGINEERING
LICENSE #F-1002

THIS DOCUMENT IS THE PROPERTY OF OLDCASTLE PRECAST, INC. IT IS CONFIDENTIAL, SUBMITTED FOR REFERENCE PURPOSES ONLY, AND SHALL NOT BE USED IN ANY WAY INJURIOUS TO THE INTERESTS OF, OR WITHOUT THE WRITTEN PERMISSION OF OLDCASTLE PRECAST, INC. COPYRIGHT © 2017 OLDCASTLE PRECAST, INC ALL RIGHTS RESERVED

REINFORCED MODIFIED TONGUE & GROOVE (CULVERT)

SUBMITTAL

CUSTOMER

DATE	SALES	DRAWN	ENGINEER	CHECKED	SALES ORDER
10/9/17		PPS			
DRAWING NUMBER				REVISION	SHEET
Culvert Pipe				REV DATE	1 OF 1