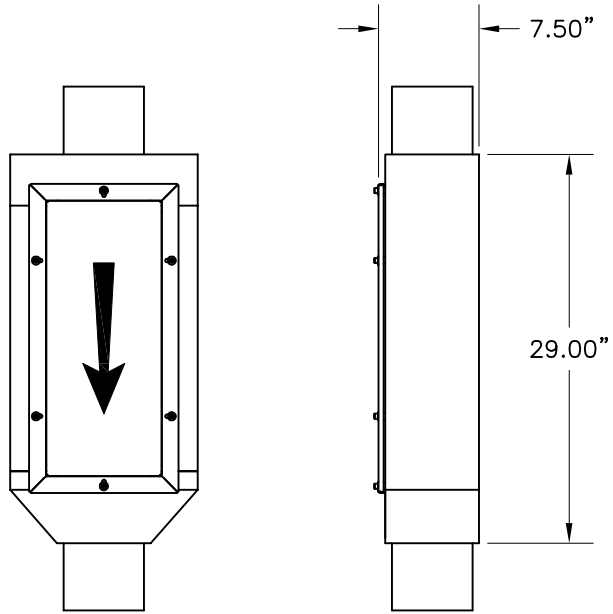
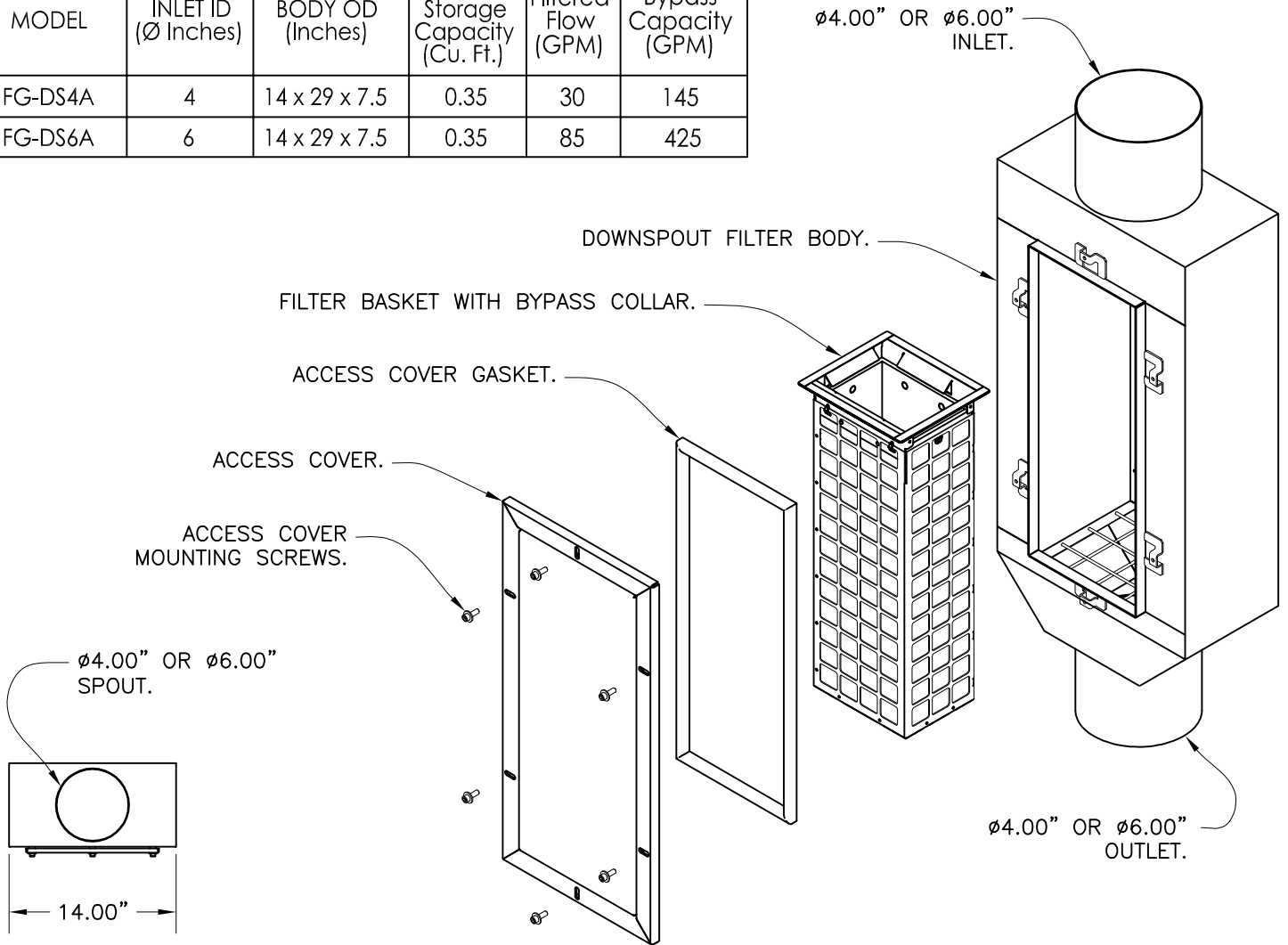


MODEL	INLET ID (Ø Inches)	BODY OD (Inches)	Solids Storage Capacity (Cu. Ft.)	Filtered Flow (GPM)	Bypass Capacity (GPM)
FG-DS4A	4	14 x 29 x 7.5	0.35	30	145
FG-DS6A	6	14 x 29 x 7.5	0.35	85	425



NOTES:

1. FloGard® Downspout Filter is available to fit most industry standard downspouts (See Tabulation).
2. Filter Inserts shall have adequate bypass capacity to allow downspout to flow unimpeded at all times.
3. Filter assembly shall be constructed from stainless steel (type 304).
4. Filter medium shall be installed & maintained in accordance with manufacturer recommendations.



Inlet Filtration

**FloGard®**  
Downspout Filter

Ø4.00" & Ø6.00" Sizes



**Oldcastle®**  
Stormwater Solutions

7921 Southpark Plaza, Suite 200 | Littleton, CO | 80120 | Ph: 800.579.8819 | oldcastlestormwater.com

THIS DOCUMENT IS THE PROPERTY OF OLDCASTLE PRECAST, INC. IT IS SUBMITTED FOR REFERENCE PURPOSES ONLY AND SHALL NOT BE USED IN ANY WAY INJURIOUS TO THE INTERESTS OF SAID COMPANY. COPYRIGHT © 2010 OLDCASTLE PRECAST, INC. ALL RIGHTS RESERVED.

DRAWING NO. DSF-0001	REV B	ECO ECO-0142 NEW 7/13/16	DATE JPR 2/11/09	SHEET 1 OF 1
-------------------------	----------	--------------------------------	---------------------	--------------