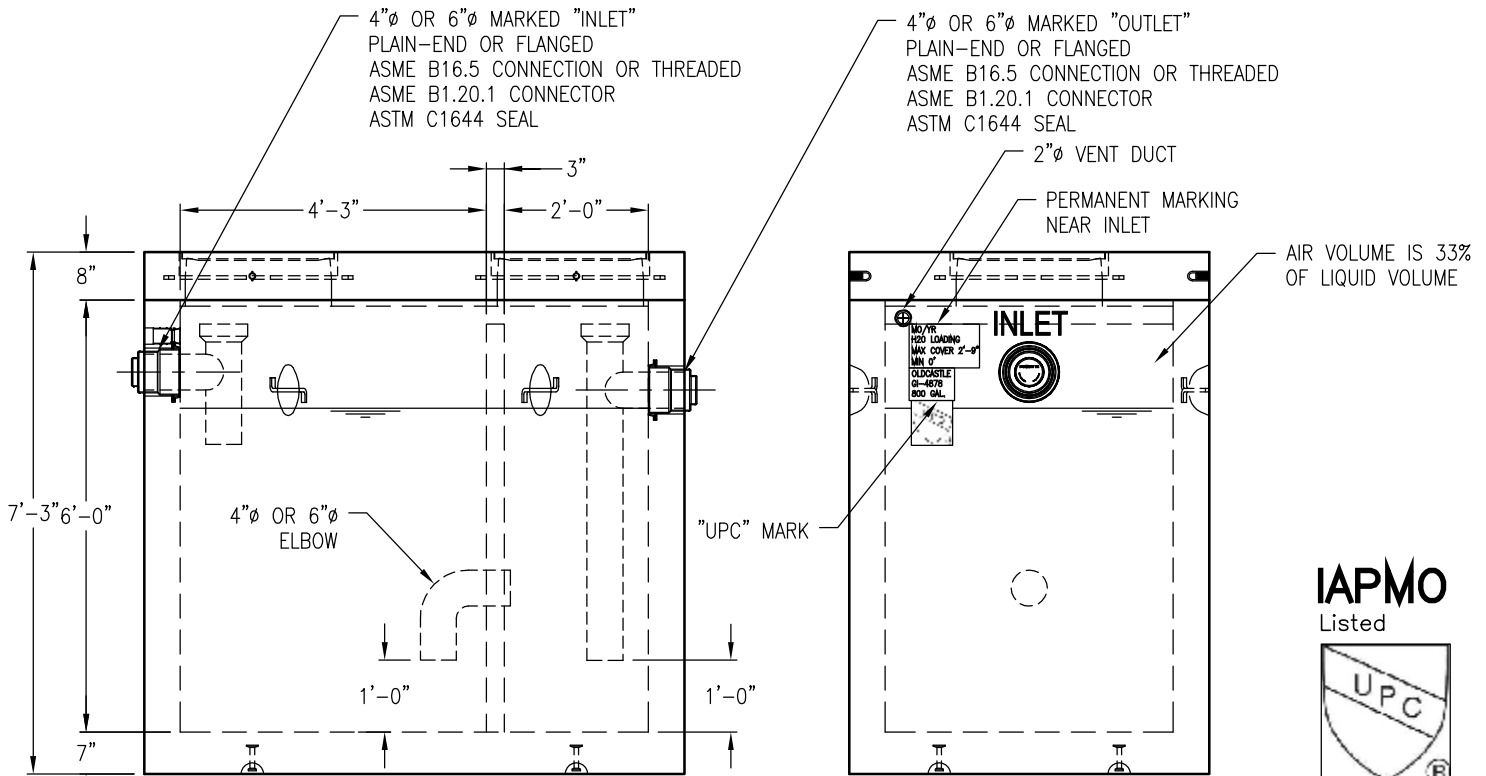
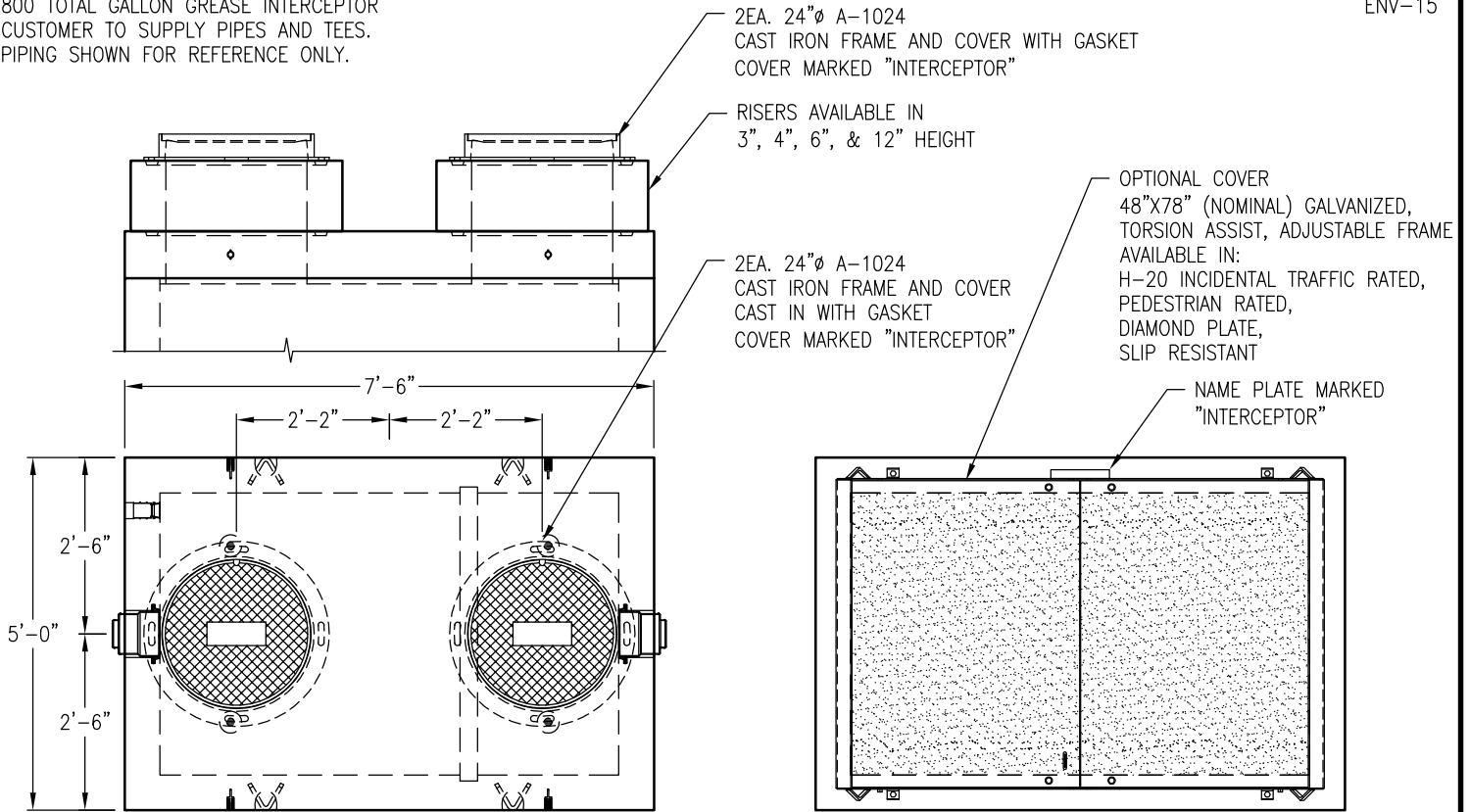


800 TOTAL GALLON GREASE INTERCEPTOR
 CUSTOMER TO SUPPLY PIPES AND TEES.
 PIPING SHOWN FOR REFERENCE ONLY.



TOP SLAB WEIGHT: 3,940 LBS.
 VAULT WEIGHT: 13,900 LBS.

DRAWING MAY NOT CONFORM TO THE
 MOST CURRENT SPECIFICATION



Oldcastle Precast[®]
 Northern California
 Madera ■ Morgan Hill ■ Pleasanton ■ Santa Rosa ■ Stockton ■ Tulare
 Phone: 925-750-6650 Fax: 925-750-6660

GI-4878
 FILE NAME: ENV-15.DWG
 REVISED: MARCH 2016
www.oldcastleprecast.com

**4'-0" X 6'-6" X 6'-0" (I.D.)
 ENVIRONMENTAL VAULT
 GREASE INTERCEPTOR**