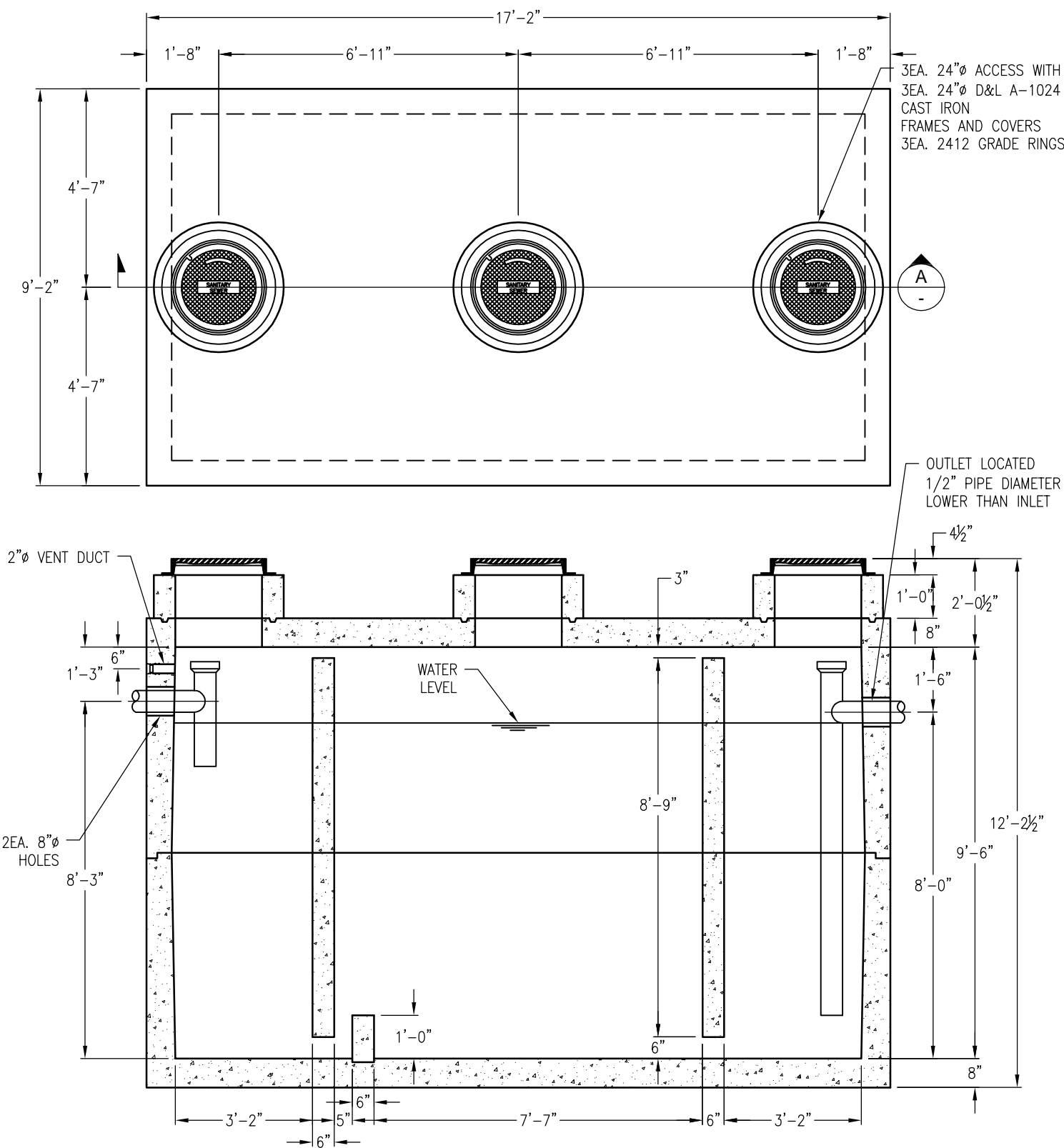


7,400 TOTAL GALLON OIL/WATER SEPARATOR
 CUSTOMER TO SUPPLY PIPES AND TEES.
 PIPING SHOWN FOR REFERENCE ONLY.

ENV-6



DRAWING MAY NOT CONFORM TO THE MOST CURRENT SPECIFICATION



Oldcastle Precast[®]

Northern California
 Madera ■ Morgan Hill ■ Pleasanton ■ Santa Rosa ■ Stockton ■ Tulare
 Phone: 925-750-6650 Fax: 925-750-6660

| |
|--|
| OWS-816 |
| FILE NAME: ENV-6.DWG |
| REVISED: MARCH 2016 |
| www.oldcastleprecast.com |

**8'-0" X 16'-0" X 9'-6" (I.D.)
 ENVIRONMENTAL VAULT
 OIL WATER SEPARATOR**

Copyright © 2016 Oldcastle Precast, Inc.