

1,200 TOTAL GALLON OIL/WATER SEPARATOR  
 CUSTOMER TO SUPPLY PIPES AND TEES.  
 PIPING SHOWN FOR REFERENCE ONLY.

OPTIONAL WITH GRADE RINGS  
 3EA. 20"Ø A-1255B  
 CAST IRON FRAME AND COVER WITH GASKET  
 COVER MARKED "SEPARATOR"

RISERS AVAILABLE IN  
 3", 4", 6", & 12" HEIGHT

3EA. 20"Ø A-1255B  
 CAST IRON FRAME AND COVER  
 CAST IN WITH GASKET  
 COVER MARKED "SEPARATOR"

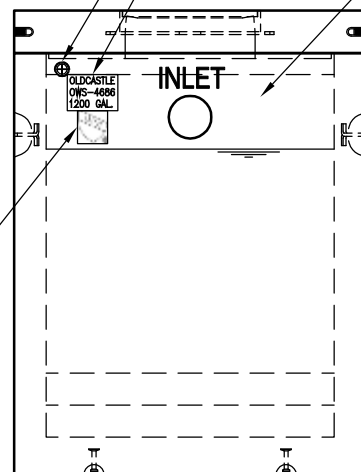
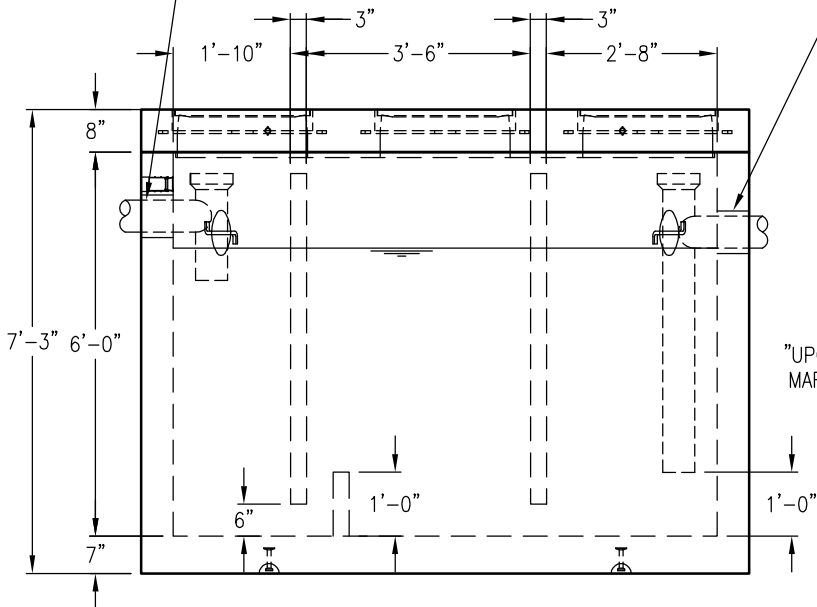
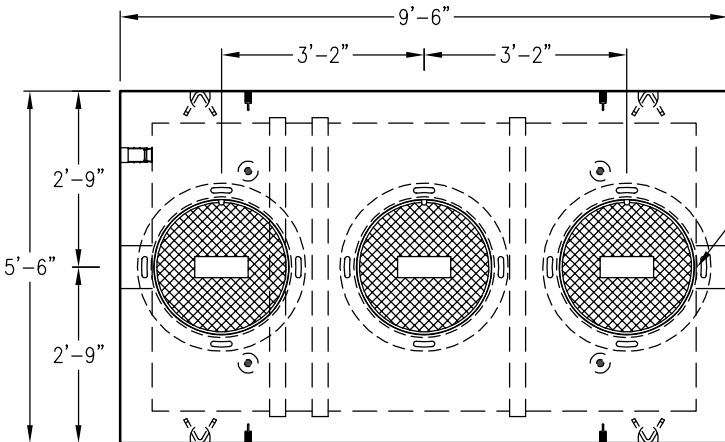
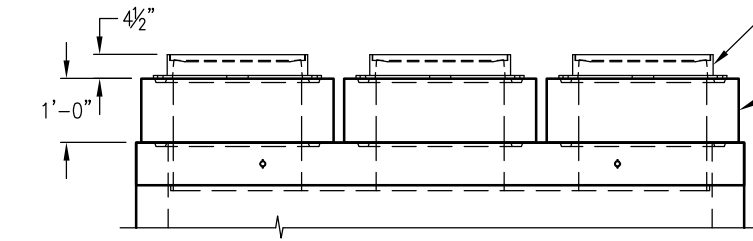
6"Ø SDR 35 TEE MARKED "OUTLET"  
 AVAILABLE IN GROUTED PIPE,  
 RUBBER SEAL OR  
 STEEL WATER STOP WITH LINKSEAL

6"Ø SDR 35 TEE MARKED "INLET"  
 AVAILABLE IN GROUTED PIPE,  
 RUBBER SEAL, OR  
 STEEL WATER STOP WITH LINKSEAL

2"Ø VENT DUCT  
 PERMANENT MARKING  
 NEAR INLET

AIR VOLUME IS 33%  
 OF LIQUID VOLUME

"UPC"  
 MARK



TOP SLAB WEIGHT: 4,910 LBS.  
 VAULT WEIGHT: 17,520 LBS.

DRAWING MAY NOT CONFORM TO THE  
 MOST CURRENT SPECIFICATION

**Oldcastle Precast**<sup>®</sup>  
 Northern California  
 Madera ■ Morgan Hill ■ Pleasanton ■ Santa Rosa ■ Stockton ■ Tulare  
 Phone: 925-750-6650 Fax: 925-750-6660

<b>OWS-4686</b>
FILE NAME: ENV-8.DWG
REVISED: MARCH 2016
<a href="http://www.oldcastleprecast.com">www.oldcastleprecast.com</a>

**4'-6" X 8'-6" X 6'-0" (I.D.)  
 ENVIRONMENTAL VAULT  
 OIL WATER SEPARATOR**

Copyright © 2016 **Oldcastle** Precast, Inc.