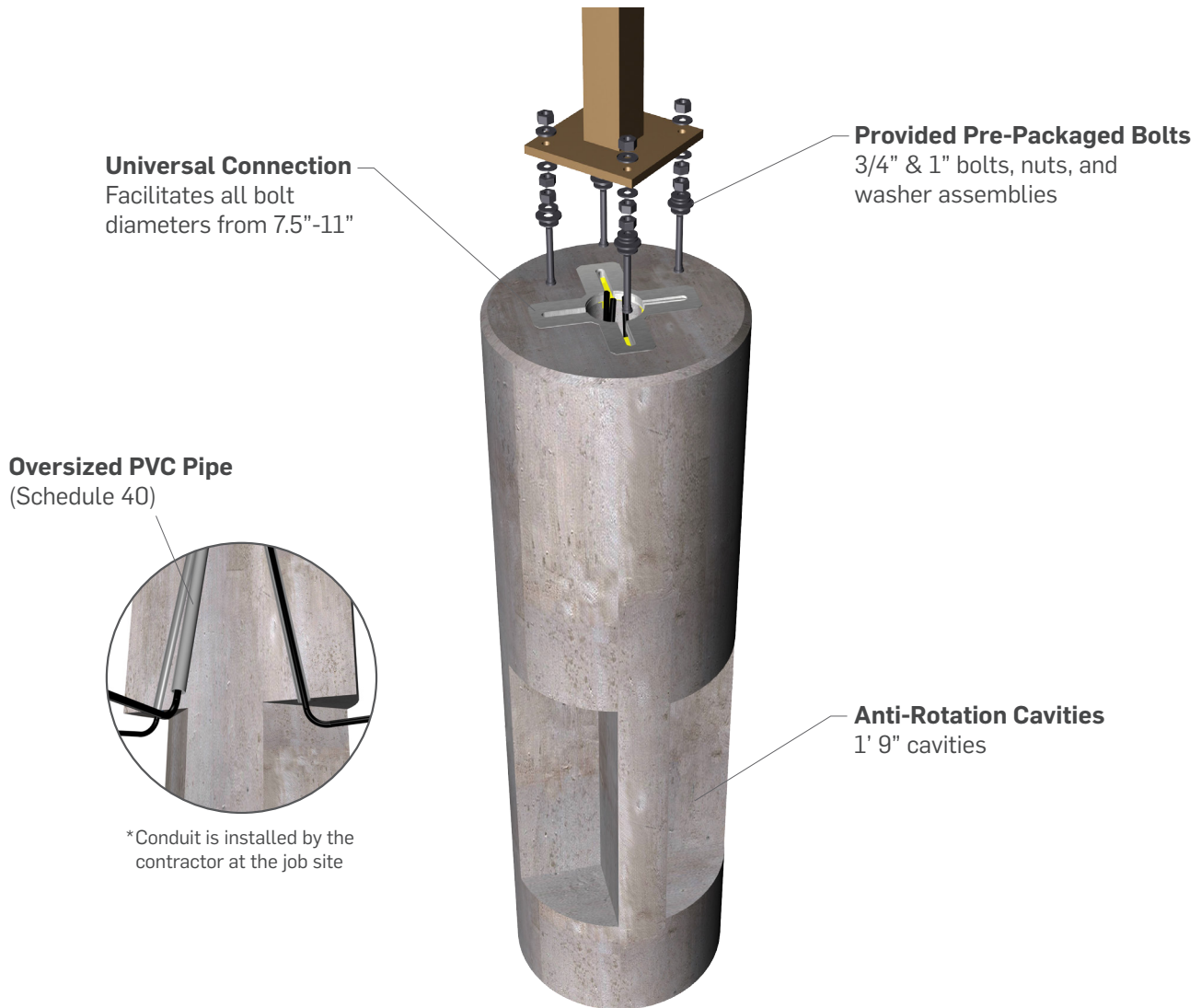


# OMNI POLE BASE-18"

A pre-engineered pole base with an adjustable bolt circle and pre-packaged bolts; your one-stop source for a readily available solution. Same day delivery, installation, connection, and power-on. Available in the Northwest only.



## BENEFITS

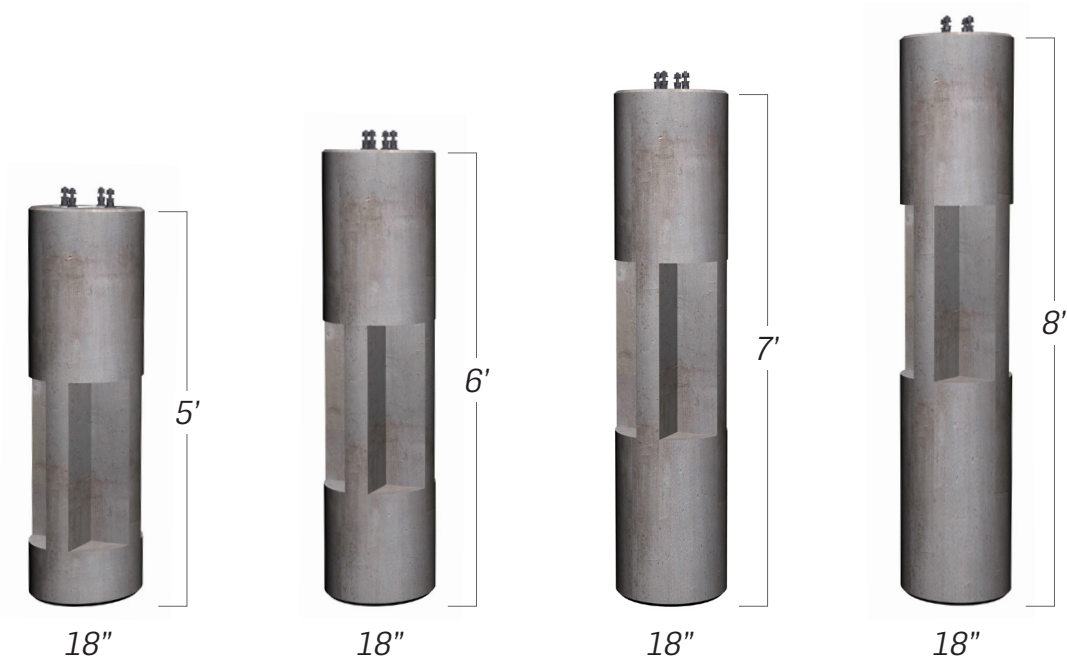
In stock, ready to order	Bolts included with base
Pre-engineered and P. E. stamped	Average (1) day installation
Manufactured in a controlled environment	Eliminates misaligned bolts



Call us today at (800) 892-1538 or visit our website for detailed product information, drawings and design tools at [www.opauburn.com](http://www.opauburn.com).

## FOUR AVAILABLE HEIGHTS

Stocked and readily available for immediate delivery and installation.



## BOLT CONFIGURATION

The easy to adjust bolt pattern adjusts between 7 1/2" to 11" in diameter. 3/4" or 1" bolt size options available.

