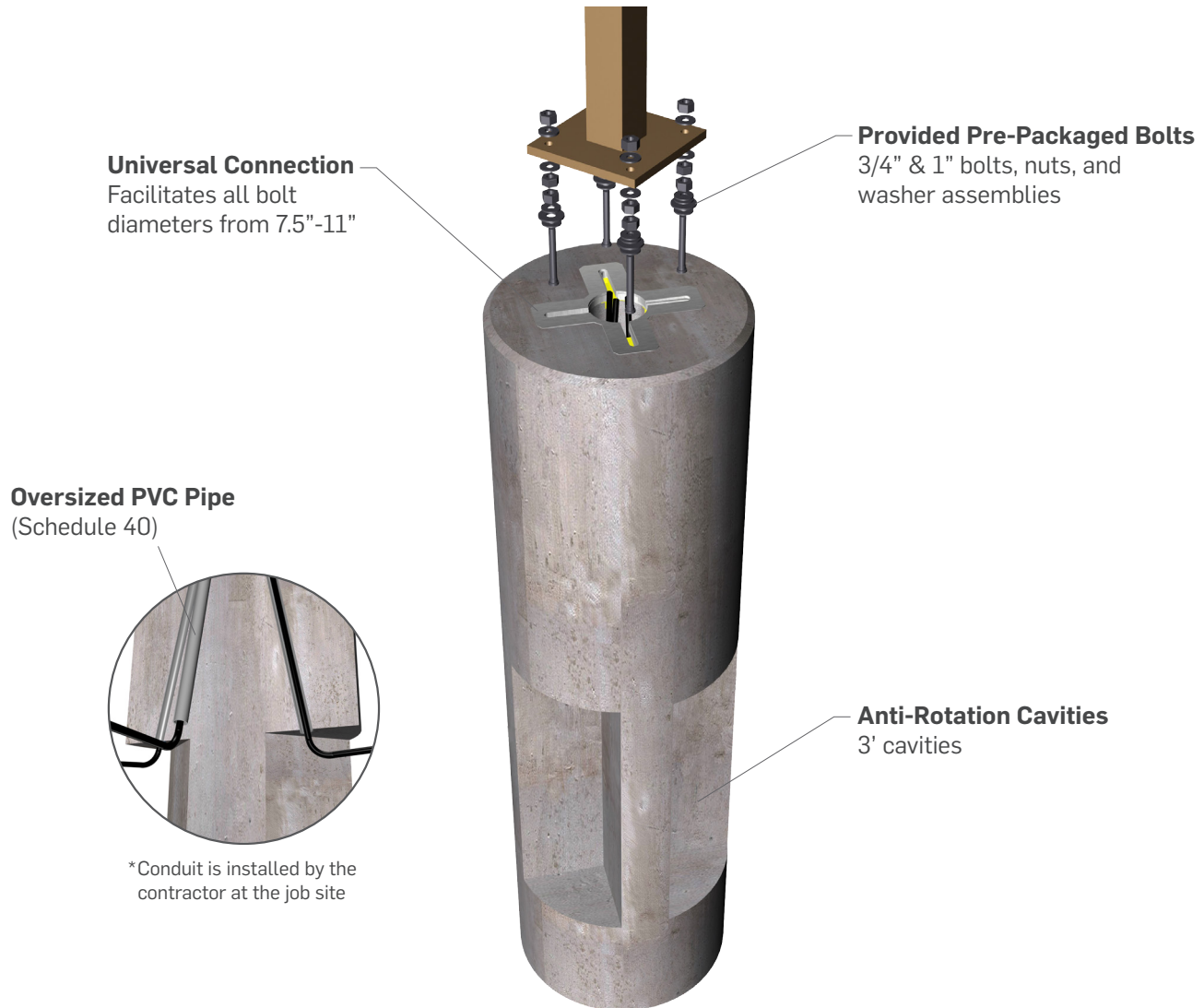


OMNI POLE BASE-24"

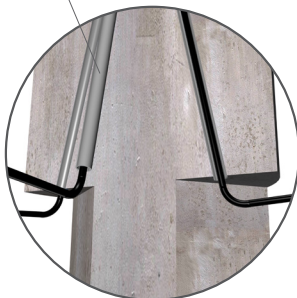
A pre-engineered pole base with an adjustable bolt circle and pre-packaged bolts; your one-stop source for a readily available solution. Same day delivery, installation, connection, and power-on.



Universal Connection
Facilitates all bolt diameters from 7.5"-11"

Provided Pre-Packaged Bolts
3/4" & 1" bolts, nuts, and washer assemblies

Oversized PVC Pipe
(Schedule 40)



*Conduit is installed by the contractor at the job site

Anti-Rotation Cavities
3' cavities

BENEFITS

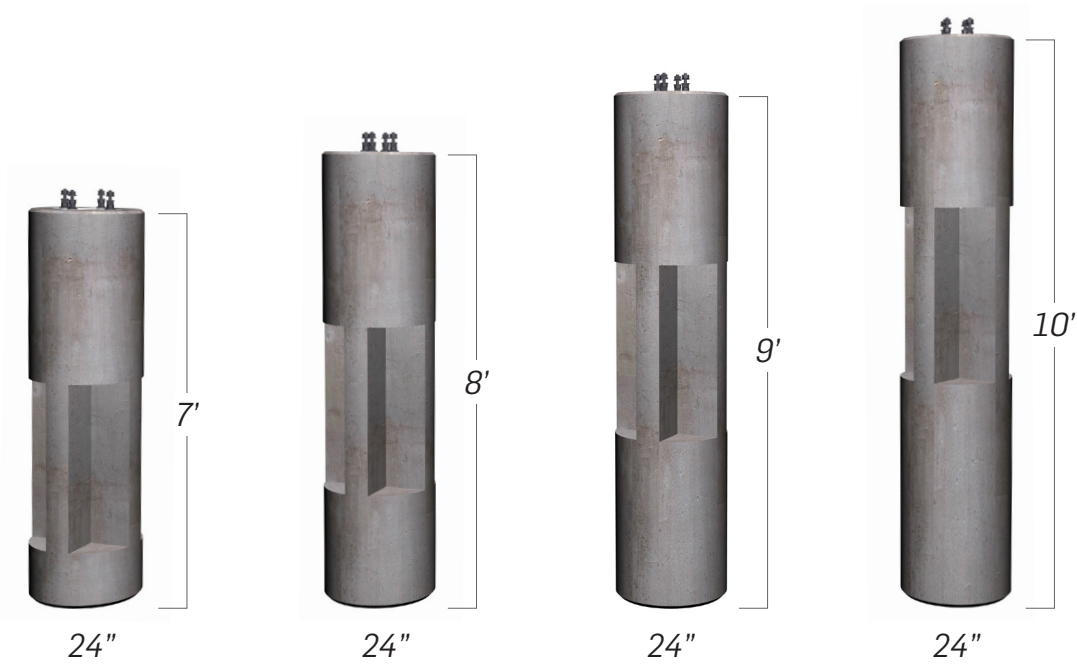
In stock, ready to order	Bolts included with base
Pre-engineered and P. E. stamped	Average (1) day installation
Manufactured in a controlled environment	Eliminates misaligned bolts



For more information please contact our National Sales Office at (888) 965-3227 or send an email to contactprecast@oldcastle.com.

FOUR AVAILABLE HEIGHTS

Stocked and readily available for immediate delivery and installation.



BOLT CONFIGURATION

Adjustable bolt circle facilitates 7 1/2" to 11" in diameter. 3/4" or 1" bolt sizes are available.

