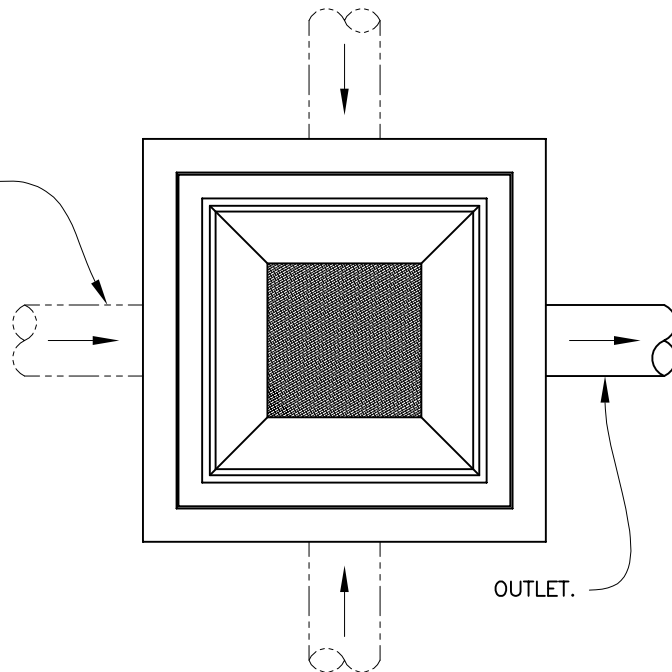


SPECIFIER CHART				
MODEL	CATCH BASIN ID	SOLIDS STORAGE CAPACITY CUBIC FEET	FILTERED FLOW CUBIC FEET / SECOND	TOTAL BYPASS CAPACITY CUBIC FEET /SECOND
FG-M12	12" X 12"	0.05	0.05	0.50
FG-M18	18" X 18"	0.10	0.10	1.00
FG-M24	24" X 24"	0.30	0.30	1.70
FG-M2436	24" X 36"	0.40	0.50	2.30
FG-M30	30" X 30"	0.60	0.60	2.60
FG-M36	36" X 36"	0.80	0.90	4.10
FG-M3648	36" X 48"	1.10	1.30	4.60
FG-M48	48" X 48"	1.60	1.80	6.60

NOTES:

1. Filter insert shall have a high flow bypass feature.
2. Inlet flume & bypass weir frame shall be constructed from stainless steel Type 304.
3. Filter medium shall be *Fossil Rock™*, installed and maintained in accordance with manufacturer specifications.
4. Storage capacity reflects 80% of maximum solids collection prior to impeding filtering bypass.
5. Additional inlets are limited to one only with a 6" diameter maximum, and to a wall opposite or at a right angle to outlet. See detail A.

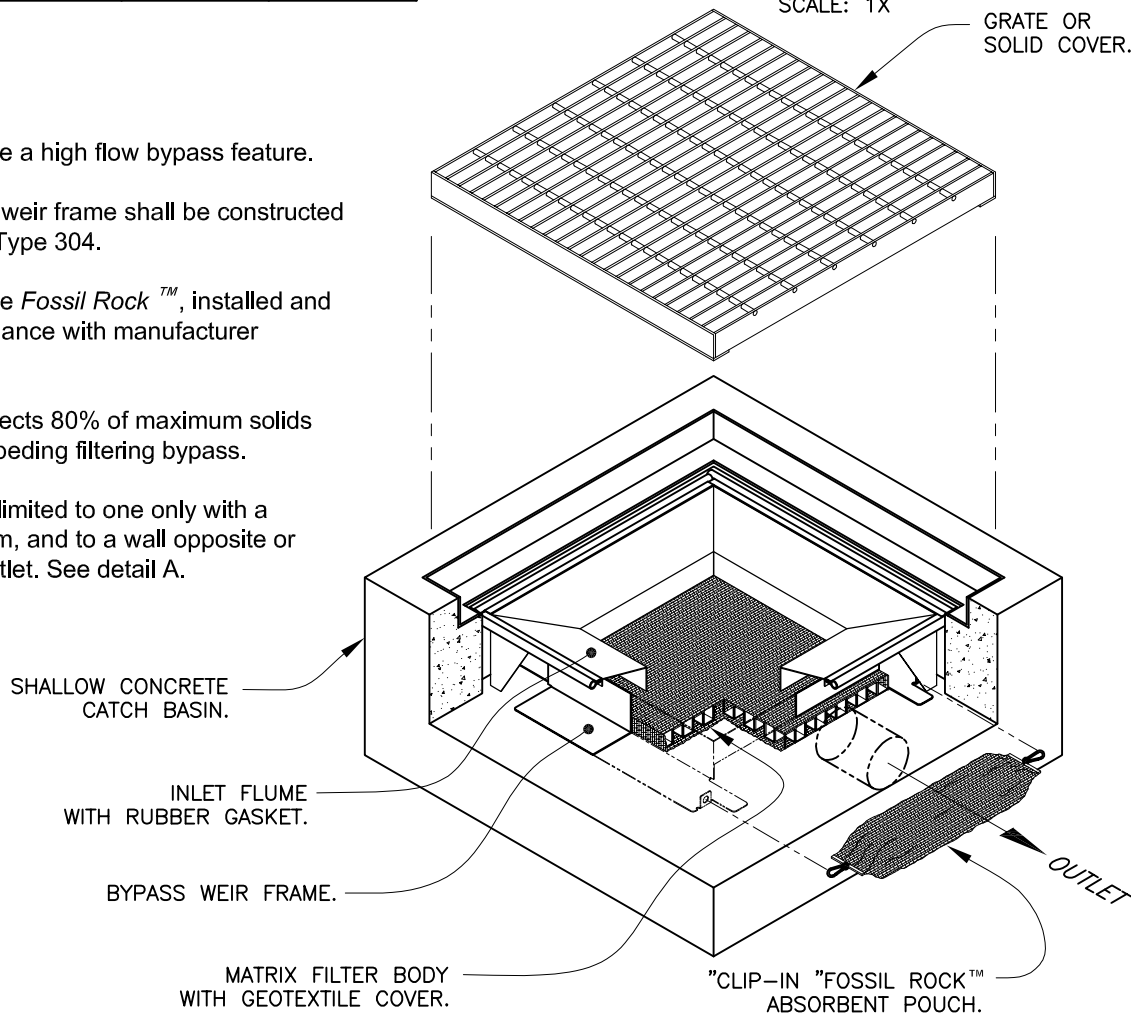
ADDITIONAL INLET OPTIONS CAN BE ACCOMMODATED, SEE NOTE 5.



DETAIL A

ADDITIONAL INLETS
SCALE: 1X

GRATE OR SOLID COVER.



Inlet Filtration

FloGard®
Catch Basin Insert Filter
Shallow Catch Basin Style

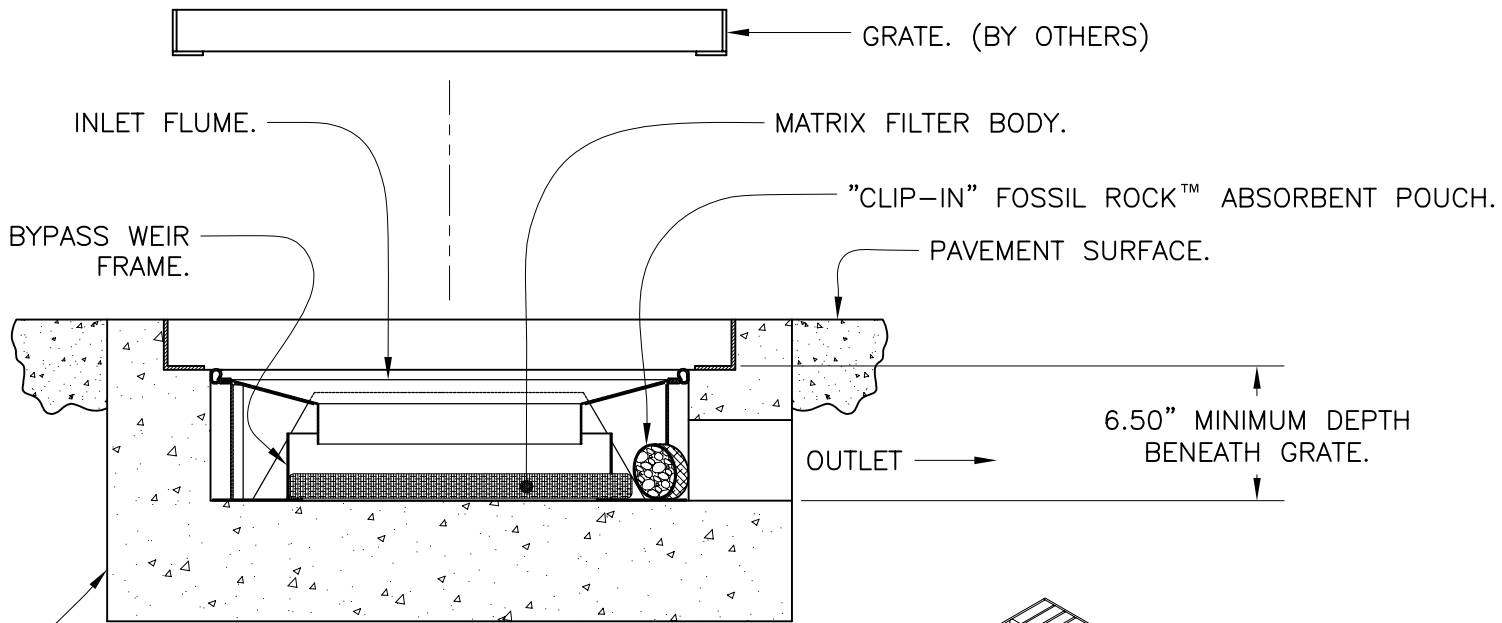


Oldcastle®
Stormwater Solutions

7921 Southpark Plaza, Suite 200 | Littleton, CO | 80120 | Ph: 800.579.8819 | oldcastlestormwater.com
THIS DOCUMENT IS THE PROPERTY OF OLDCASTLE PRECAST, INC. IT IS SUBMITTED FOR REFERENCE PURPOSES ONLY AND SHALL NOT BE USED IN ANY WAY INJURIOUS TO THE INTERESTS OF SAID COMPANY. COPYRIGHT © 2010 OLDCASTLE PRECAST, INC. ALL RIGHTS RESERVED.

DRAWING NO. FG-LP-0001	REV F	ECO ECO-0142	DATE JPR 7/13/16	DATE JPR 12/18/06	SHEET 1 OF 2
---------------------------	----------	-----------------	---------------------	----------------------	--------------

FG-LP-0001



SECTION VIEW

SCALE: 2X

SHALLOW CONCRETE CATCH BASIN. (BY OTHERS)

GRATE OR SOLID COVER.

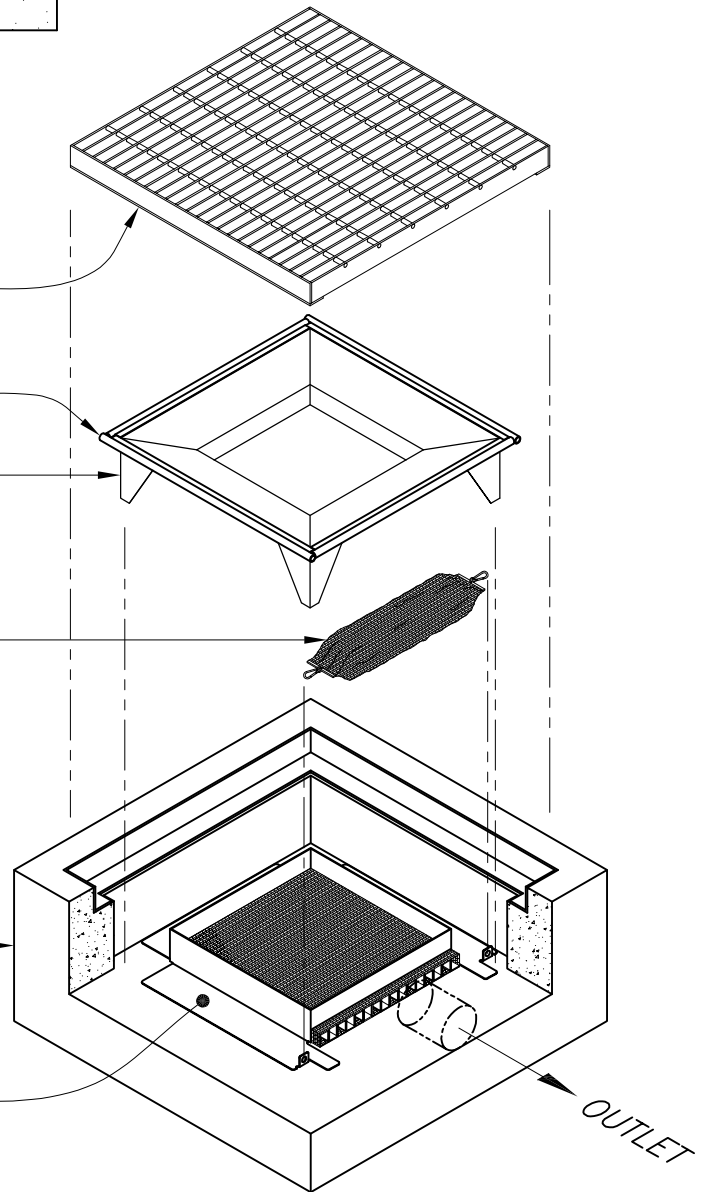
RUBBER GASKET.

INLET FLUME.

"CLIP-IN" FOSSIL ROCK™ ABSORBENT POUCH.

SHALLOW CONCRETE CATCH BASIN.

MATRIX FILTER ELEMENT & BYPASS WEIR FRAME ASSEMBLY.



Inlet Filtration

FloGard®
Catch Basin Insert Filter
Shallow Catch Basin Style



Oldcastle®
 Stormwater Solutions

7921 Southpark Plaza, Suite 200 | Littleton, CO | 80120 | Ph: 800.579.8819 | oldcastlestormwater.com
 THIS DOCUMENT IS THE PROPERTY OF OLDCASTLE PRECAST, INC. IT IS SUBMITTED FOR REFERENCE PURPOSES ONLY AND SHALL NOT BE USED IN ANY WAY INJURIOUS TO THE INTERESTS OF SAID COMPANY. COPYRIGHT © 2010 OLDCASTLE PRECAST, INC. ALL RIGHTS RESERVED.

DRAWING NO. FG-LP-0001	REV F	ECO ECO-0142	DATE JPR 7/13/16	DATE JPR 12/18/06	SHEET 2 OF 2
---------------------------	----------	-----------------	---------------------	----------------------	--------------