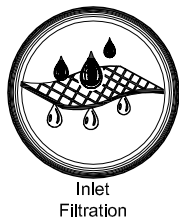
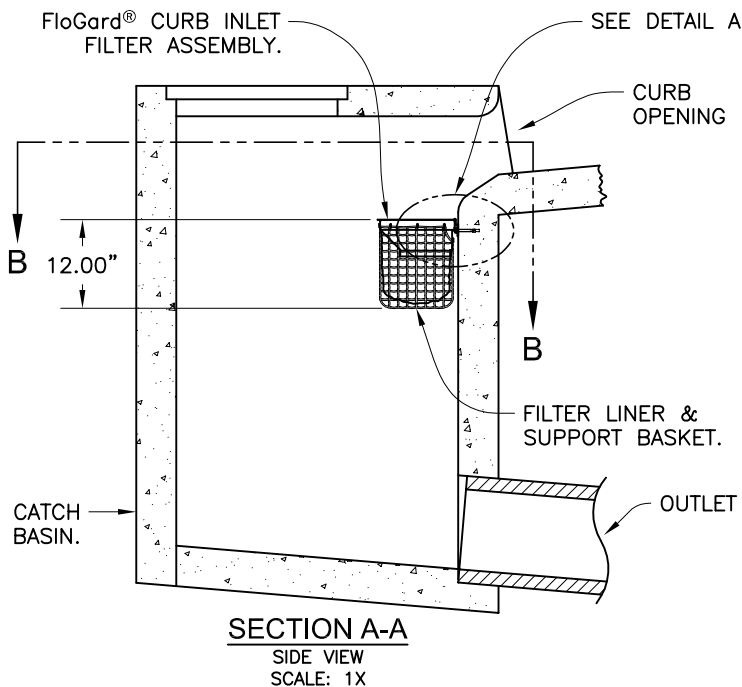


SPECIFIER CHART				
MODEL NO.	Curb Opening Width - W -	Storage Capacity - Cu. Ft. -	Filtered Flow Rate - GPM/CFS -	Bypass Flow Rate - GPM/CFS -
FGP-24CI	2.0' (24")	.95	338 / .75	2,513 / 5.6
FGP-30CI	2.5' (30")	1.20	450 / 1.00	3,008 / 6.7
FGP-36CI	3.0' (36")	1.50	563 / 1.25	3,547 / 7.9
FGP-42CI	3.5' (42")	1.80	675 / 1.50	3,951 / 8.8
FGP-48CI	4.0' (48")	2.10	768 / 1.76	4,445 / 9.9
FGP-5.0CI	5.0' (60")	2.40	900 / 2.00	5,208 / 11.6
FGP-6.0CI	6.0' (72")	3.05	1,126 / 2.51	6,196 / 13.8
FGP-7.0CI	7.0' (84")	3.65	1,350 / 3.01	7,139 / 15.9
FGP-8.0CI	8.0' (96")	4.25	1,576 / 3.51	8,082 / 18.0
FGP-10.0CI	10.0' (120")	4.85	1,800 / 4.01	9,833 / 21.9
FGP-12.0CI	12.0' (144")	6.10	2,252 / 5.02	11,764 / 26.2
FGP-14.0CI	14.0' (168")	7.30	2,700 / 6.02	13,515 / 30.1
FGP-16.0CI	16.0' (192")	8.55	3,152 / 7.02	15,446 / 34.4
FGP-18.0CI	18.0' (216")	9.45	3,490 / 7.78	17,152 / 38.2
FGP-21.0CI	21.0' (252")	10.95	4,050 / 9.02	19,891 / 44.3
FGP-28.0CI	28.0' (336")	14.60	5,400 / 12.03	26,311 / 58.6

NOTES:

1. Filter insert shall have a high flow bypass feature.
2. Filter support frame shall be constructed from stainless steel Type 304.
3. Filter medium shall be *Fossil Rock™*, installed and maintained in accordance with manufacturer specifications.
4. Storage capacity reflects 80% of maximum solids collection prior to impeding filtering bypass.



FloGard®
Catch Basin Insert Filter
Curb Inlet Style



Oldcastle®
Stormwater Solutions

7921 Southpark Plaza, Suite 200 | Littleton, CO | 80120 | Ph: 800.579.8819 | oldcastlestormwater.com
 THIS DOCUMENT IS THE PROPERTY OF OLDCASTLE PRECAST, INC. IT IS SUBMITTED FOR REFERENCE PURPOSES ONLY AND SHALL NOT BE USED IN ANY WAY INJURIOUS TO THE INTERESTS OF SAID COMPANY. COPYRIGHT © 2010 OLDCASTLE PRECAST, INC. ALL RIGHTS RESERVED.

DRAWING NO. FGP-0002	REV E	ECO ECO-0127 JPR 5/18/15	DATE JPR 1/3/06	SHEET 1 OF 1
-------------------------	----------	--------------------------------	--------------------	--------------