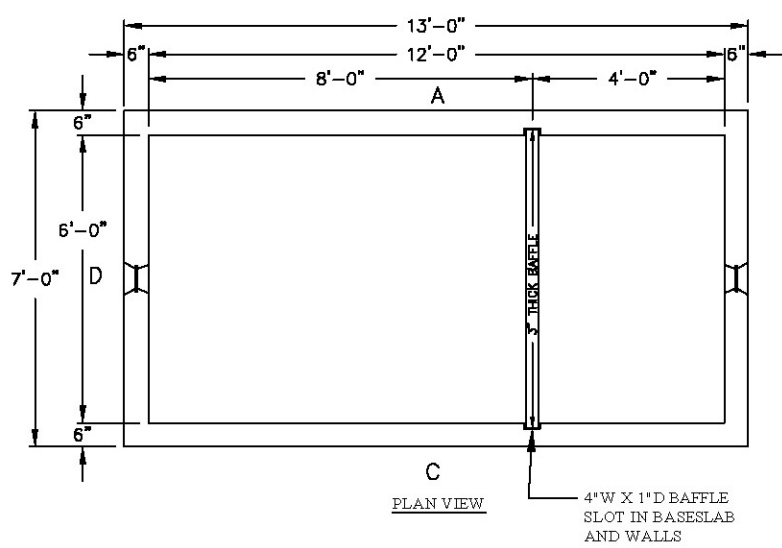
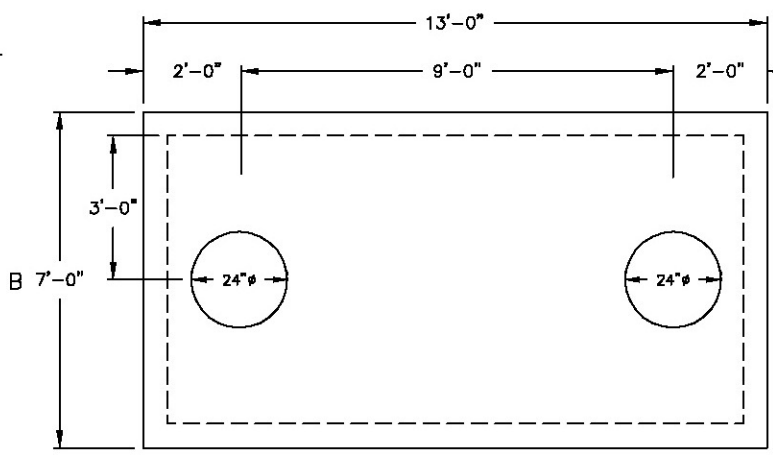


H2O-2,500 gal.



PLAN VIEW

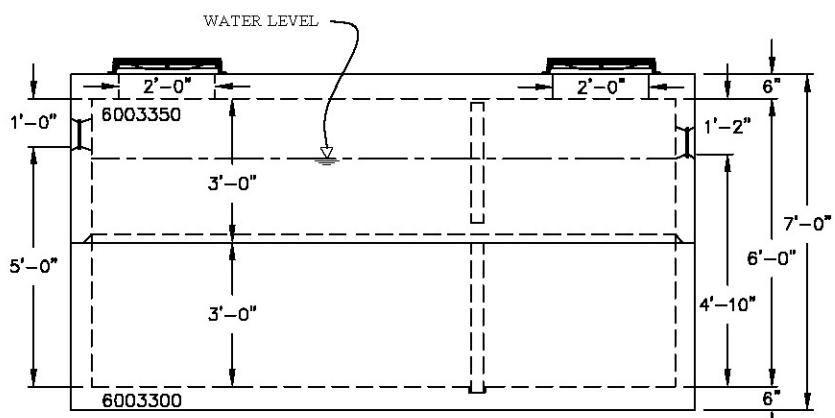


MONO - TOP DETAIL

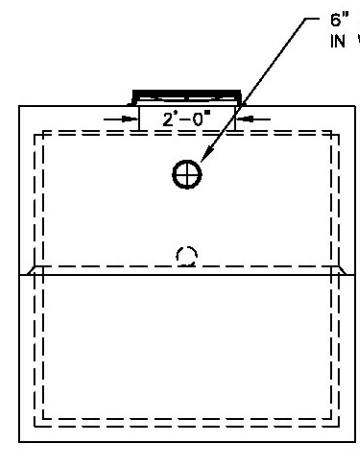
- NOTES:**
1. CONCRETE: 28 DAY COMP. STRENGTH F'C = 4,000 PSI.
 2. PRECAST STRUCTURES ARE PRODUCED TO MEET OR EXCEED ASTM SPECIFICATIONS.
 3. SUPPORTS AN H2O LOADING AS INDICATED BY AASHTO.
 4. CONTRACTOR TO VERIFY SIZE AND LOCATION OF ALL OPENINGS.
 5. ALL INTERNAL PIPING DONE BY OTHERS - NOT OLD CASTLE
 6. STATE APPROVAL #48-106-26D-C4 (F.A.C.) 64C-6.013 FLORIDA ADMINISTRATION CODE (F-BC) SECTION 1003.4 THRU SECTION 1003.4.2.2 AND FLORIDA ADMINISTRATION CODE

STAMP MUST APPEAR IN UPPER RIGHT HAND CORNER ON WALL D ⊕ 6" DOWN FROM TOP OF TOP SLAB

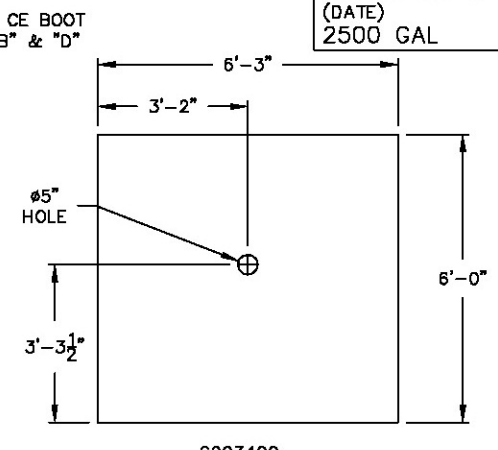
OLDCASTLE PRECAST #48-106-26D-C4 (DATE) 2500 GAL



FRONT VIEW



SIDE VIEW



3" THICK BAFFLE DETAIL

STRUCTURE TYPE - 2500 GALLON GREASE TRAP - 72"x144"x72" (H2O RATED)

Oldcastle™ Precast Inc.
 690 WEST TAFT-VINELAND RD. ORLANDO FL 32824
 (407) 855-7580 • FAX: (407) 855-2424

DRAWN: RENE	DATE: 02/28/07	
CHECKED:	DATE:	
PRODUCED:	SHIPPED:	
STR. NO.: 2,500gal	S.O. NO.: 00000	LN. NO.:
DRAWING NO.:	LOC.:	
SCALE: 1"=4'	SHEET: 1 OF 1	

WALLS	PIPE SIZE	PIPE INVERT	HOLE SIZE	HOLE UP	PRODUCTION YARDAGE	WEIGHTS	REINFORCEMENT
B	--	+4.83	6" RUBBER BOOT	4'-10"	BASE:		
D	--	+5.00	6" RUBBER BOOT	5'-0"	WALL:		
					TOP:		
BAFFLE	--	+3.17	5"φ	3'-0"	BAFFLE:		
					REMARKS:		
					CASTING:		
					STEEL WT.:		CONC WT.:

PROPERTY OF OLDCASTLE PRECAST, NOT TO BE REPRODUCED WITHOUT WRITTEN CONSENT, 2005