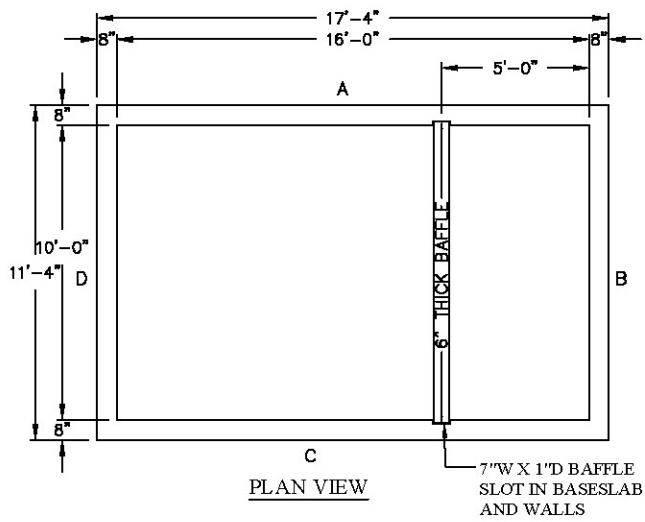
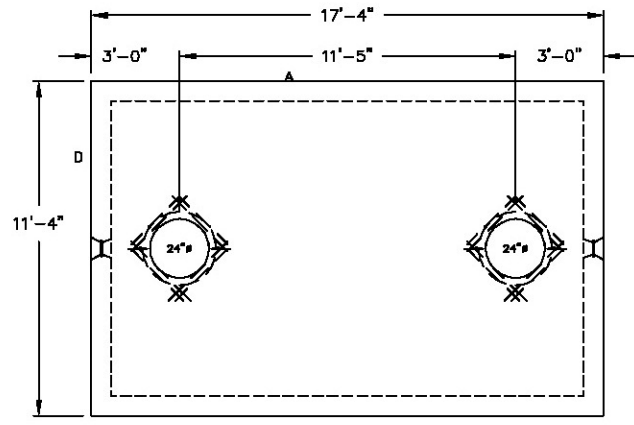


5,000 gal.

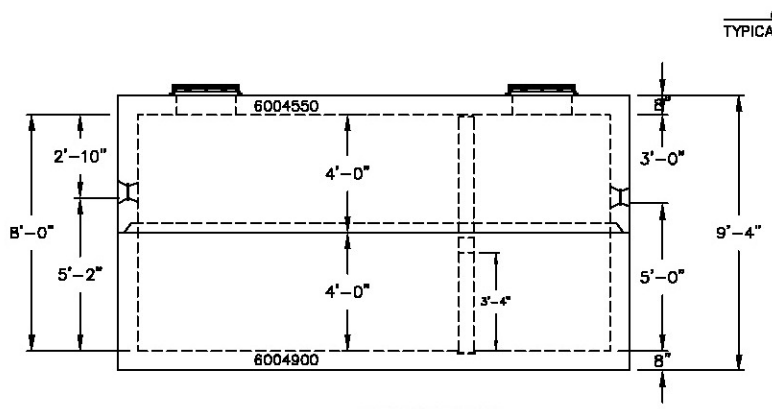


PLAN VIEW

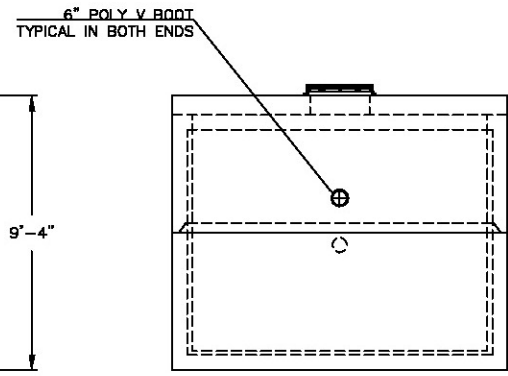


MONO-TOP PLAN VIEW

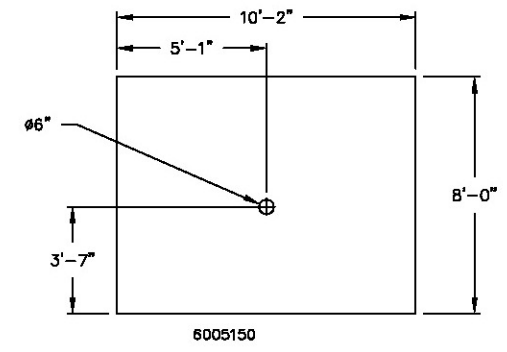
- NOTES:
1. CONCRETE: 28 DAY COMP. STRENGTH F'C = 4,000 PSI.
  2. PRECAST STRUCTURES ARE PRODUCED TO MEET OR EXCEED ASTM SPECIFICATIONS.
  3. SUPPORTS AN H2O LOADING AS INDICATED BY AASHTO.
  4. CONTRACTOR TO VERIFY SIZE AND LOCATION OF ALL OPENINGS.
  5. ALL INTERNAL PIPING DONE BY OTHERS - NOT OLD CASTLE



FRONT VIEW



SIDE VIEW



6" THICK BAFFLE DETAIL

WALLS	PIPE SIZE	PIPE INVERT	HOLE SIZE	HOLE UP	PRODUCTION YARDAGE	WEIGHTS	REINFORCEMENT
B	--	+5.00	8" RUBBER BOOT	5'-0"	BASE:		
D	--	+5.17	6" RUBBER BOOT	5'-2"	WALL:		
					TOP:		
BAFFLE	--	+3.33	6"ø	3'-4"	(3) BAFFLE:		
					REMARKS:		
					CASTING:		
					STEEL WT.:		CONC WT.:

STRUCTURE TYPE - 5000 GALLON GREASE TRAP - 120"X192"X96"

**Oldcastle™** Precast Inc.  
 890 WEST TAFT-VINELAND RD. ORLANDO FL 32824  
 (407) 855-7580 • FAX: (407) 855-2424

DRAWN: RENE	DATE: 3/27/08	
CHECKED:	DATE:	
PRODUCED:	SHIPPED:	
STR. NO.: 5,000gal	S.O. NO.: 00000	LN. NO.:
CONTRACTOR		DRAWING NO.:
PROJECT		LOC.:
SCALE: 1"=6'-6"		SHEET: 1 OF 1

PROPERTY OF OLDCASTLE PRECAST, NOT TO BE REPRODUCED WITHOUT WRITTEN CONSENT. 2005 ©