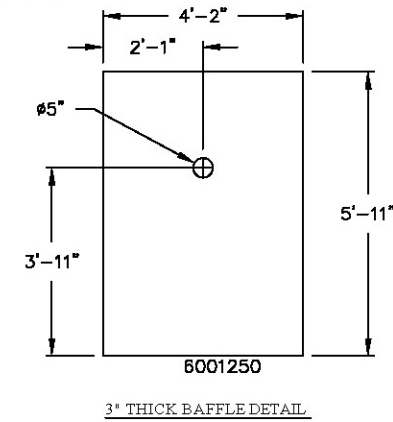
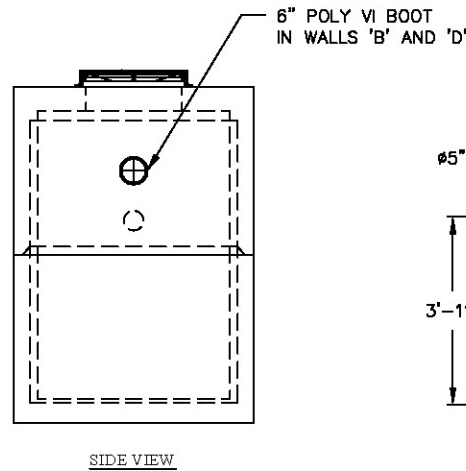
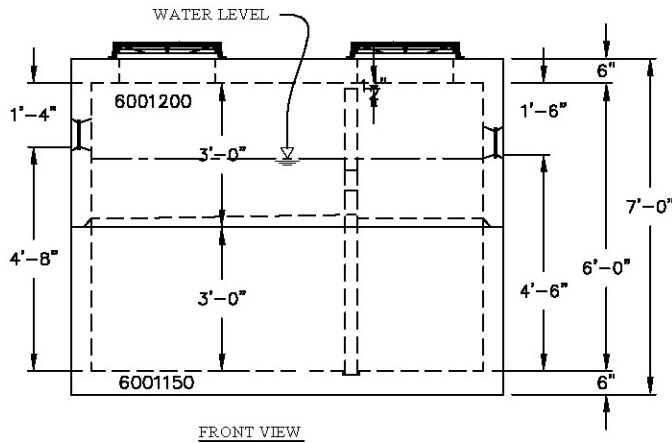


- NOTES:**
1. CONCRETE: 28 DAY COMP. STRENGTH F'C = 4,000 PSI.
 2. PRECAST STRUCTURES ARE PRODUCED TO MEET OR EXCEED ASTM SPECIFICATIONS.
 3. SUPPORTS AN H2O LOADING AS INDICATED BY AASHTO.
 4. CONTRACTOR TO VERIFY SIZE AND LOCATION OF ALL OPENINGS.
 5. ALL INTERNAL PIPING DONE BY OTHERS - NOT OLD CASTLE
 6. STATE APPROVAL
#48-106-12D-C4
(F.A.C.) 64C-6.013
FLORIDA ADMINISTRATION CODE
(F-BC) SECTION 1003.4 THRU
SECTION 1003.4.2.2 AND
FLORIDA ADMINISTRATION CODE

STAMP MUST APPEAR IN UPPER RIGHT HAND CORNER ON WALL D @ 6" DOWN FROM TOP OF TOP SLAB

OLDCASTLE PRECAST
#48-106-12D-C4
(DATE)
1250 GAL



STRUCTURE TYPE-1000 GALLON GREASE TRAP-48"X96"X72"(H2O RATED)

Oldcastle™ Precast Inc.
690 WEST TAFT-VINELAND RD. ORLANDO FL 32824
(407) 855-7580 • FAX: (407) 855-2424

DRAWN: SJW	DATE: 12/17/07	
CHECKED:	DATE:	
PRODUCED:	SHIPPED:	
STR. NO.: 1,000gal	S.O. NO.: 00000	LN. NO.:
DRAWING NO.:	LOC.:	
SCALE: 1"=4'	SHEET: 1 OF 1	

WALLS	PIPE SIZE	PIPE INVERT	HOLE SIZE	HOLE UP	PRODUCTION YARDAGE	WEIGHTS	REINFORCEMENT
B	--	+4.50	6" RUBBER BOOT	4'-6"	BASE:		
D	--	+4.87	6" RUBBER BOOT	4'-8"	WALL:		
					TOP:		
BAFFLE	--	+3.67	5"ø	3'-9"	BAFFLE:		
					REMARKS:		
					CASTING:		
					STEEL WT.:		CONC WT.: