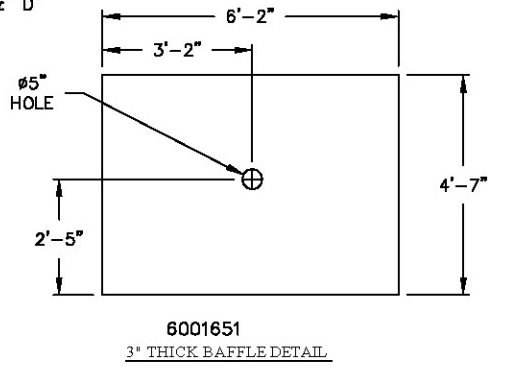
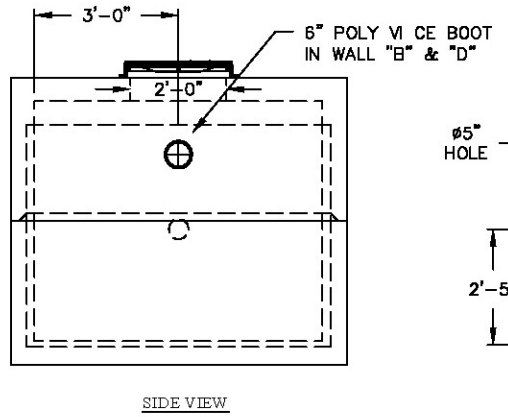
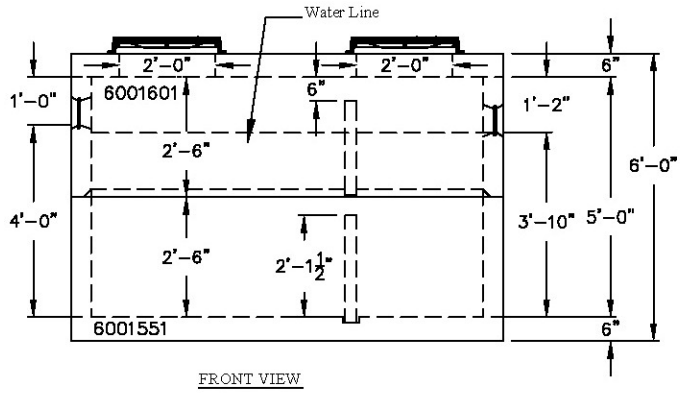


- NOTES:**
1. CONCRETE: 28 DAY COMP. STRENGTH F'C = 4,500 PSI.
  2. REINFORCING: ASTM A-615, GRADE 60.
  3. SUPPORTS AN H2O LOADING AS INDICATED BY AASHTO.
  4. CONTRACTOR TO VERIFY SIZE AND LOCATION OF ALL OPENINGS.
  5. ALL INTERNAL PIPING DONE BY OTHERS - NOT OLD CASTLE
  6. STATE APPROVAL #48-106-12D-C4 (F.A.C.) 64C-6.013 FLORIDA ADMINISTRATION CODE (F-BC) SECTION 1003.4 THRU SECTION 1003.4.2.2 AND FLORIDA ADMINISTRATION CODE

STAMP MUST APPEAR IN UPPER RIGHT HAND CORNER ON WALL D @ 6" DOWN FROM TOP OF TOP SLAB

OLDCASTLE PRECAST #48-106-12D-C4 (DATE) 1250 GAL



STRUCTURE TYPE - 1250 GALLON CAPACITY GREASE TRAP - 72"X96"X60" (H2O RATED)

**Oldcastle™** Precast Inc.  
 690 WEST TAFT-VINELAND RD. ORLANDO FL 32824  
 (407) 855-7580 • FAX: (407) 855-2424

DRAWN: RENE	DATE: 02/28/07	
CHECKED:	DATE:	
PRODUCED:	SHIPPED:	
STR. NO.: 1,250gal	S.O. NO.: 00000	LN. NO.:
DRAWING NO.:		LOC.:
SCALE: 1"=4'	SHEET: 1 OF 1	

WALLS	PIPE SIZE	PIPE INVERT	HOLE SIZE	HOLE UP	PRODUCTION YARDAGE	WEIGHTS	REINFORCEMENT
B	--	+3.63	6" RUBBER BOOT	3'-10"	BASE:		
D	--	+4.00	6" RUBBER BOOT	4'-0"	WALL:		
					TOP:		
BAFFLE	--	+2.13	5"Ø	2'-1.5"	BAFFLE:		
REMARKS:					CASTING:		
					STEEL WT.:		CONC. WT.:

PROPERTY OF OLDCASTLE PRECAST, NOT TO BE REPRODUCED WITHOUT WRITTEN CONSENT. 2005 ©