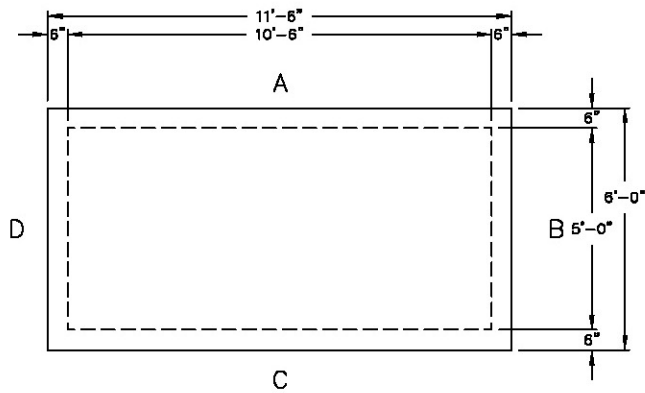
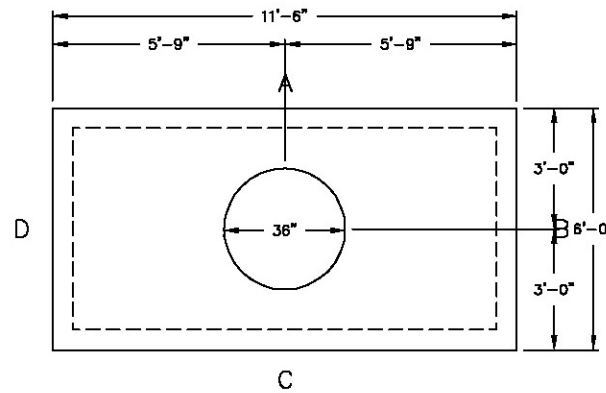


60X126XVARIES
PULL BOX



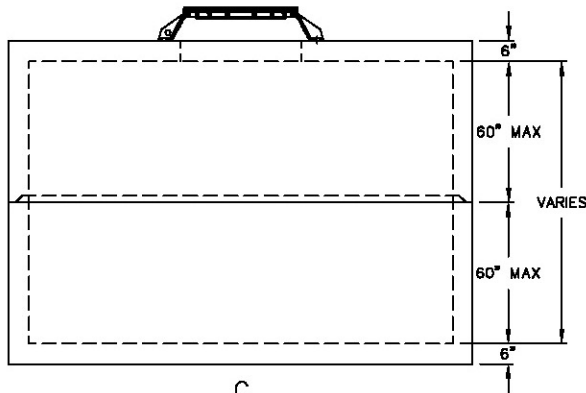
PLAN VIEW



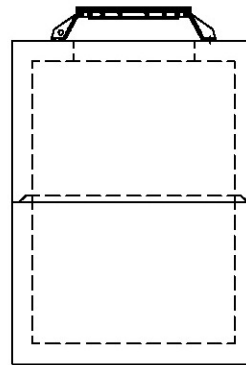
TOP VIEW

- NOTES:**
1. CONCRETE: 28 DAY COMP. STRENGTH F'C = 4,500 PSI.
 2. REINFORCING: ASTM A-615, GRADE 60.
 3. SUPPORTS AN H2O LOADING AS INDICATED BY AASHTO.
 4. CONTRACTOR TO VERIFY SIZE AND LOCATION OF ALL OPENINGS.

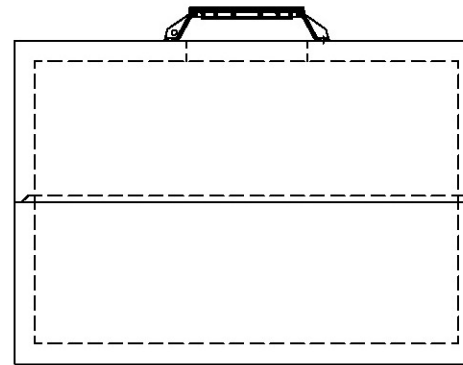
KNOCK-OUTS, BLOCK-OUTS, TERMINATORS, AND CUSTOM LETTERING ON COVERS ARE AVAILABLE UPON REQUEST. CONTRACTOR MUST SPECIFY



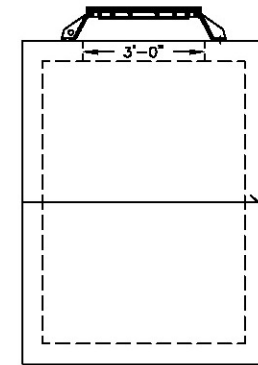
FRONT VIEW



RIGHT VIEW



BACK VIEW



LEFT VIEW

STRUCTURE TYPE - 120"x192"xVARIES" MANHOLE



Oldcastle™ Precast Inc.

690 WEST TAFT-VINELAND RD. ORLANDO FL 32824
(407) 855-7580 • FAX: (407) 855-2424

DRAWN: RENE		DATE: 7/06/07	
CHECKED:		DATE:	
PRODUCED:		SHIPPED:	
STR. NO.:	BOX#1	S.O. NO.:	00000
LN. NO.:			
DRAWING NO.:		LOC.:	
SCALE: 1"=4'	SHEET: 1 OF 1		

WALLS	PIPE SIZE	PIPE INVERT	HOLE SIZE	HOLE UP	PRODUCTION YARDAGE	WEIGHTS	REINFORCEMENT
					BASE:		
					WALL:		
					TOP:		
					WALL:		
					BAFFLE:		
REMARKS:					CASTING:		
					STEEL WT.:		CONC WT.:

PROPERTY OF OLDCASTLE PRECAST, NOT TO BE REPRODUCED WITHOUT WRITTEN CONSENT. 2005 ©