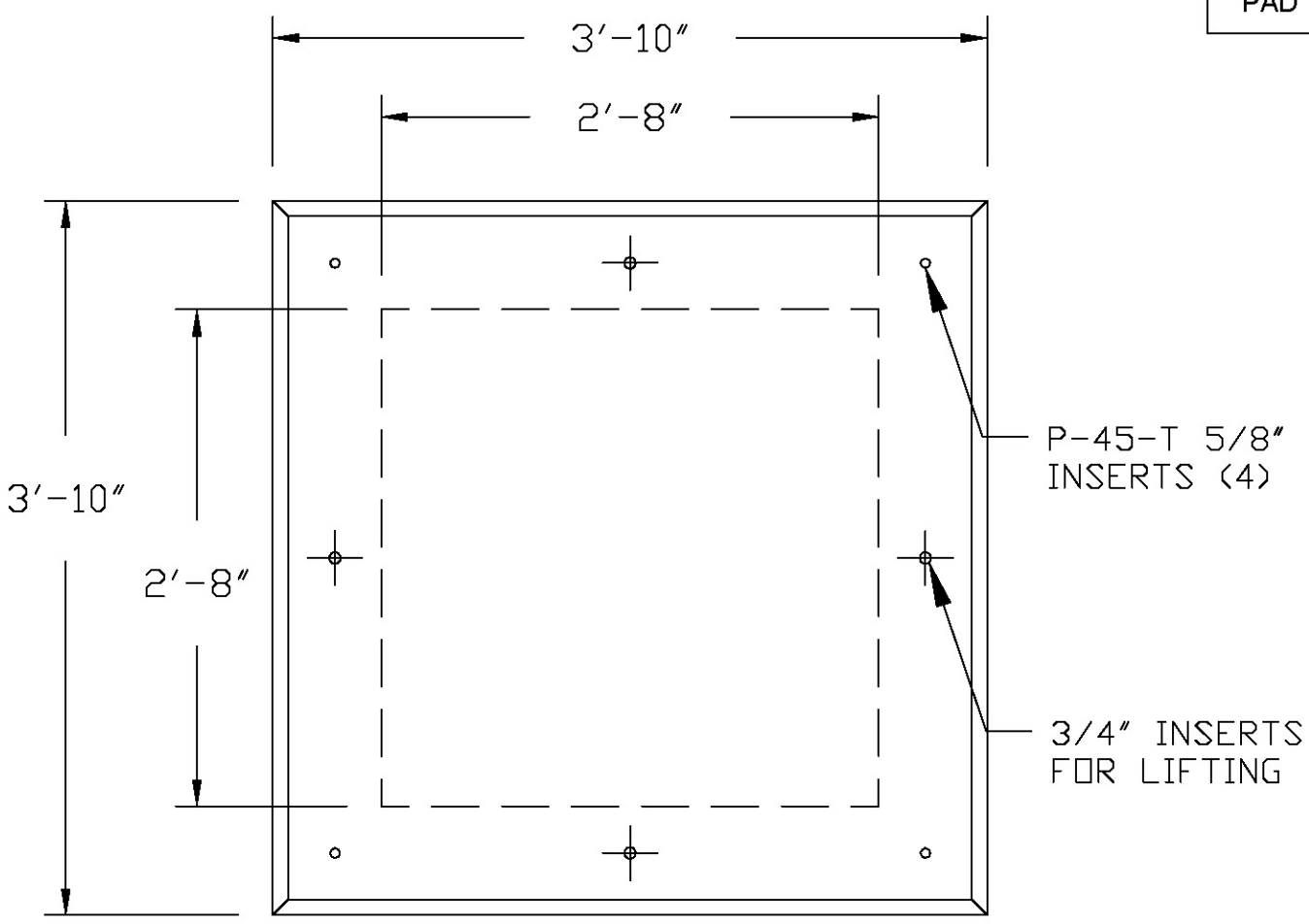
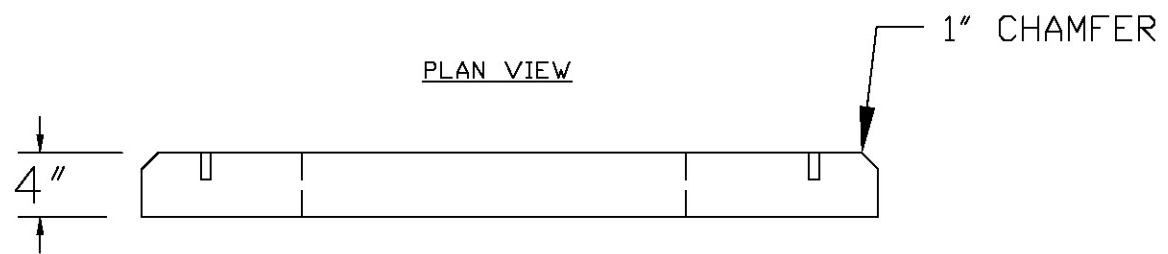


PAD



PLAN VIEW



PLAN VIEW

PROPERTY OF OLDCASTLE PRECAST, NOT TO BE REPRODUCED WITHOUT WRITTEN CONSENT. 2005 ©

PRODUCTION YARDAGE	WEIGHTS	REINFORCEMENT
SLAB		
TOTAL:		
CASTING:		
STEEL WT.:	CONC. WT.:	

STRUCTURE TYPE 46 x 46 x 6 PAD"

 **Oldcastle™** Precast East, Inc.
 690 W. TAFT-VINELAND RR. • ORLANDO, FL 32824
 (407) 855-7580 • FAX: (407) 855-2424

DRAWN: RENE		DATE: 0/00/00	
CHECKED:		DATE:	
PRODUCED:		SHIPPED:	
STR. NO.: XX	S.D. NO.: 00000	LN. NO.:	
DRAWING NO.:		LOC.:	
SCALE: 1" = 2'	SHEET: OF		

TAMPA ELECTRIC CO.
PROJECT