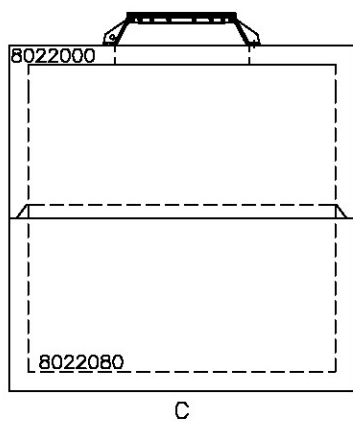


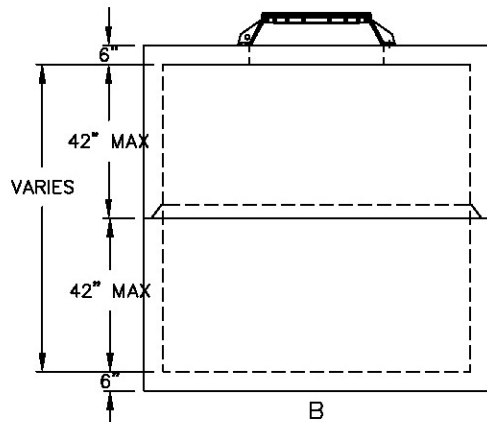
NOTES:

1. CONCRETE: 28 DAY COMPRESSIVE STRENGTH $F'_c = 4,000$ PSI.
2. REINFORCING: ASTM A-615, GRADE 60.
3. SUPPORTS AN H20 LOADING AS INDICATED BY AASHTO.
4. CONTRACTOR TO VERIFY SIZE AND LOCATION OF ALL OPENINGS, KNOCK-OUTS, PULLING EYES, AND RACKING LOCATIONS IF REQUIRED.

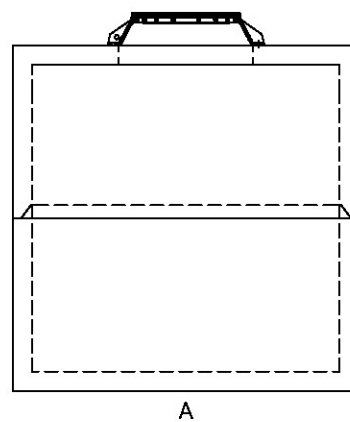
KNOCK-OUTS, BLOCK-OUTS, TERMINATORS, AND CUSTOM LETTERING ON COVERS ARE AVAILABLE UPON REQUEST. CONTRACTOR MUST SPECIFY



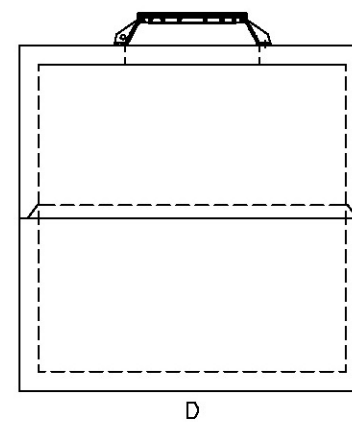
FRONT VIEW



RIGHT VIEW



BACK VIEW



LEFT VIEW

STRUCTURE TYPE "96x96xVARIES MANHOLE"



Oldcastle™ Precast Inc.

890 WEST TAFT-VINELAND RD. ORLANDO FL 32824
(407) 855-7580 • FAX: (407) 855-2424

CONTRACTOR
PROJECT

DRAWN: SJW		DATE: 7/25/07	
CHECKED:		DATE:	
PRODUCED:		SHIPPED:	
STR. NO.:	BOX #1	S.O. NO.:	00000
DRAWING NO.:		LN. NO.:	
SCALE: 1"=3'		SHEET: 1 OF 1	

WALLS					PRODUCTION		REINFORCEMENT
					YARDAGE	WEIGHTS	
					BASE:		
					WALL:		
					RISER:		
					RISER:		
					MONO-TOP:		
					CASTING:		
					HATCH:		
					STEEL WT.:		CONC WT.:

PROPERTY OF OLDCASTLE PRECAST, NOT TO BE REPRODUCED WITHOUT WRITTEN CONSENT. 2005 ©