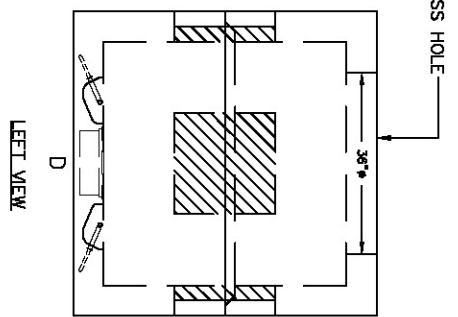
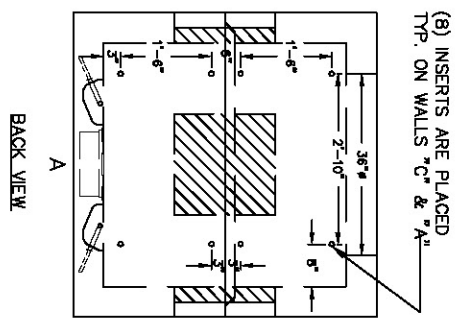
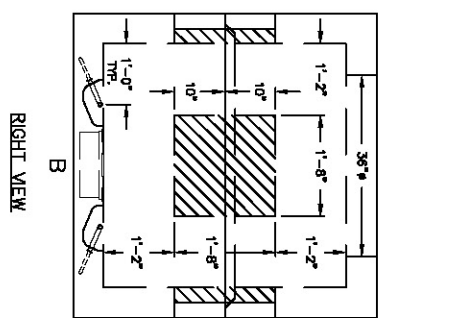
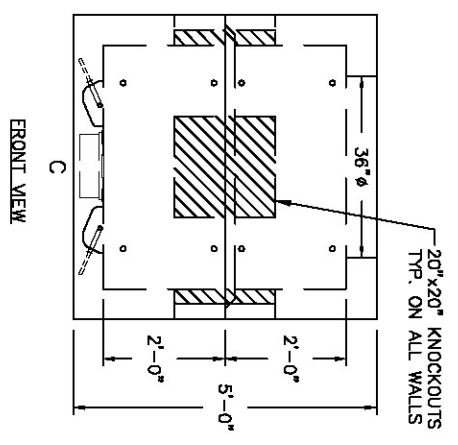
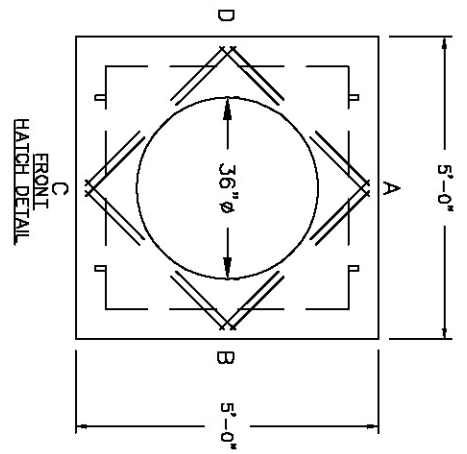
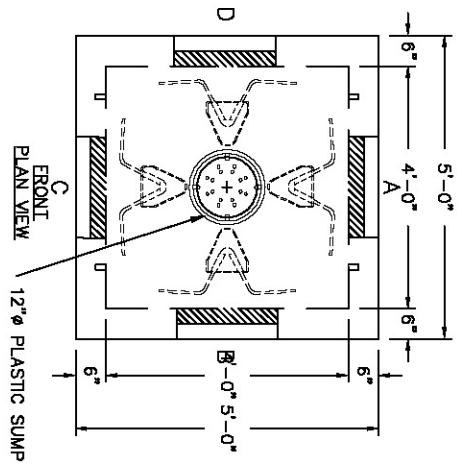


GENERAL NOTES

- PRECAST MANHOLES DESIGNED TO MEET OR EXCEED ASTM SPECIFICATIONS
- DESIGNED FOR HS - 20 - 44 LOADING
- CONCRETE MINIMUM 28 DAY CONCRETE COMPRESSIVE STRENGTH = 4,000 PSI
- STEEL ASTM A - 615 REINFORCING STEEL



20"x20" KNOCKOUTS
TYP. ON ALL WALLS

(B) INSERTS ARE PLACED
TYP. ON WALLS "C" & "A"

Ø36" ACCESS HOLE

STRUCTURE TYPE - 48"x48"x48" AT&T SPLIT PULL BOX



Oldcastle™ Precast Inc.

690 WEST TAFT-VINELAND RD. ORLANDO FL 32824
(407) 855-7580 • FAX: (407) 855-2424

CONTRACTOR
PROJECT

DRAWN: SJW	DATE: 9/29/07
CHECKED:	DATE:
PRODUCED:	SHIPPED:
STR. NO.: XXXX	S.O. NO.: 00000
DRAWING NO.:	LN. NO.:
SCALE: 1"=3'	SHEET: 1 OF 1
LOC.:	

WALLS	PIPE SIZE	PIPE INVERT	HOLE SIZE	HOLE UP	PRODUCTION YARDAGE	WEIGHTS	REINFORCEMENT
					BASE:		
					WALL:		
					TOP:		
					WALL:		
REMARKS:					CASTING:		
					STEEL WT.:		
					CONC WT.:		