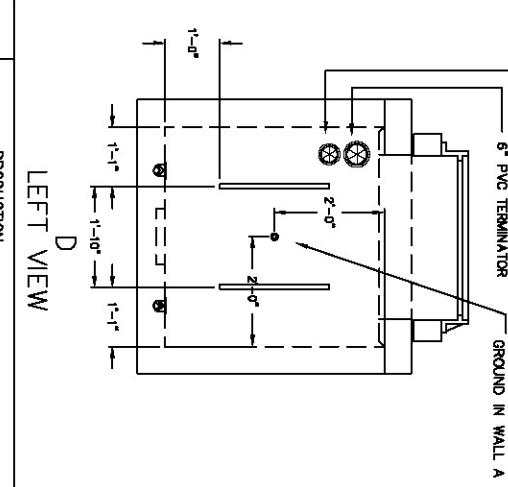
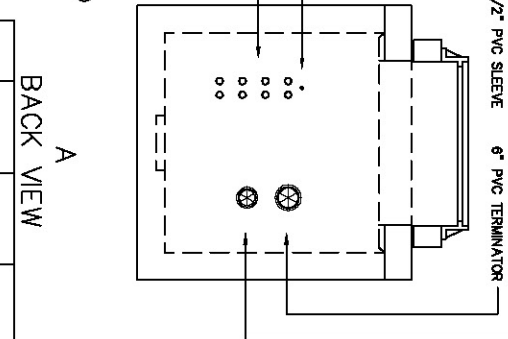
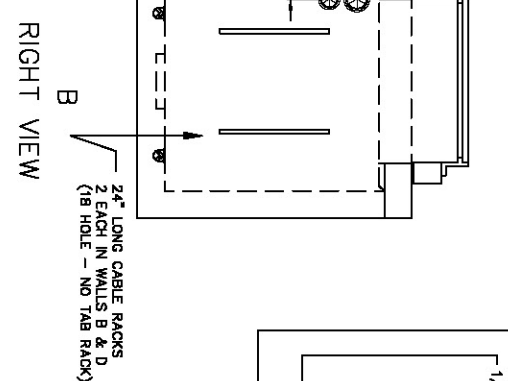
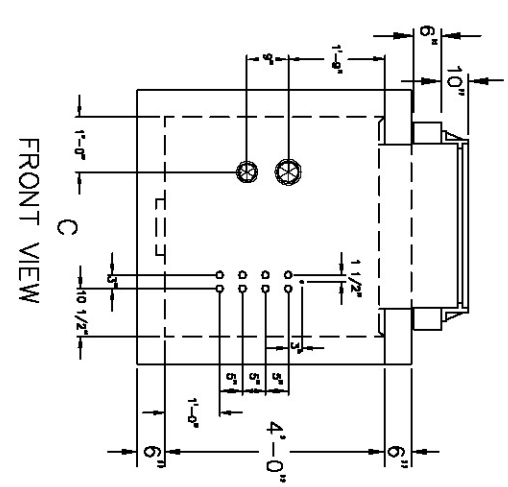
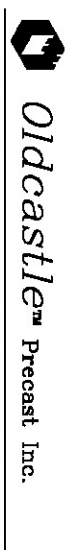


- NOTES:**
1. CONCRETE: 28 DAY COMPRESSIVE STRENGTH F'C = 5,500 PSI.
 2. REINFORCING: ASTM A-615, GRADE 60.
 3. SUPPORTS AN H20 LOADING AS INDICATED BY AASHTO.
 4. ALL INTERRUPTED REINFORCING TO BE REPLACED - 1/2 ON EACH SIDE OF OPENING
 5. ALL REINFORCING TO HAVE 2" MIN COVER
 6. CONTRACTOR TO VERIFY SIZE AND LOCATION OF ALL OPENINGS AND KNOCK-OUTS



PROPERTY OF OLDCASTLE PRECAST, NOT TO BE REPRODUCED WITHOUT WRITTEN CONSENT. 2008



690 WEST TAPT-VINELAND RD. ORLANDO FL 32824
 (407) 866-7660 • FAX: (407) 866-2424

CONTRACTOR
 PROJECT

STRUCTURE TYPE "48X48X48" FIBER OPTIC MANHOLE OOCEA STANDARD

| | |
|------------------|-----------------|
| DRAWN: SUE | DATE: 10/15/07 |
| CHECKED: | DATE: |
| PRODUCED: | SHIPPED: |
| STR. NO.: BOX #1 | S.O. NO.: 00000 |
| DRAWING NO.: | LN. NO.: |
| SCALE: 1"=3' | SHEET: 1 OF 1 |

| WALLS | BASE: | PRODUCTION YARDAGE | WEIGHTS | REINFORCEMENT |
|-------|------------|--------------------|---------|----------------------|
| | WALL: | | | |
| | RISER: | | | |
| | RISER: | | | |
| | TOP SLAB: | | | |
| | CASTING: | | | |
| | HATCH: | 36329800 | | USF #51 RING |
| | STEEL WT.: | 3000188 | | USF #55 COVER *OCEA* |

REMARKS:

BOX #1

? EACH REQUIRED