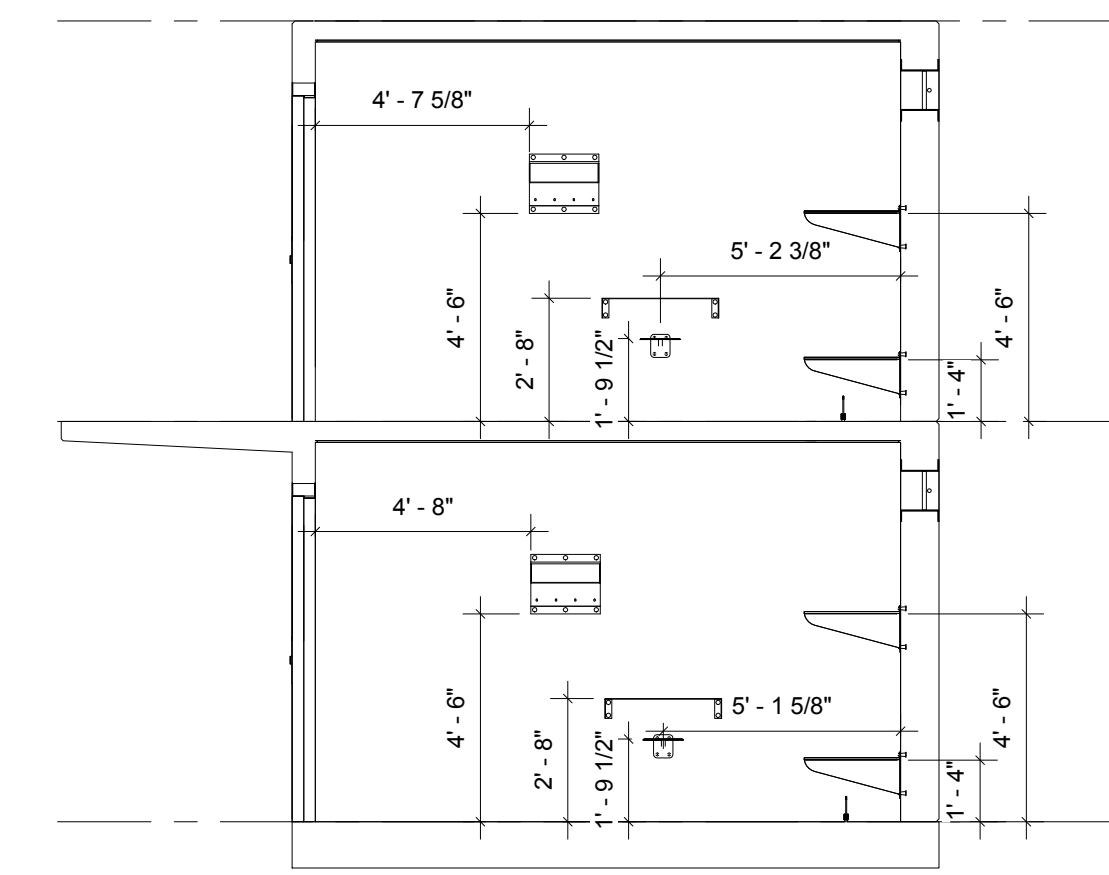
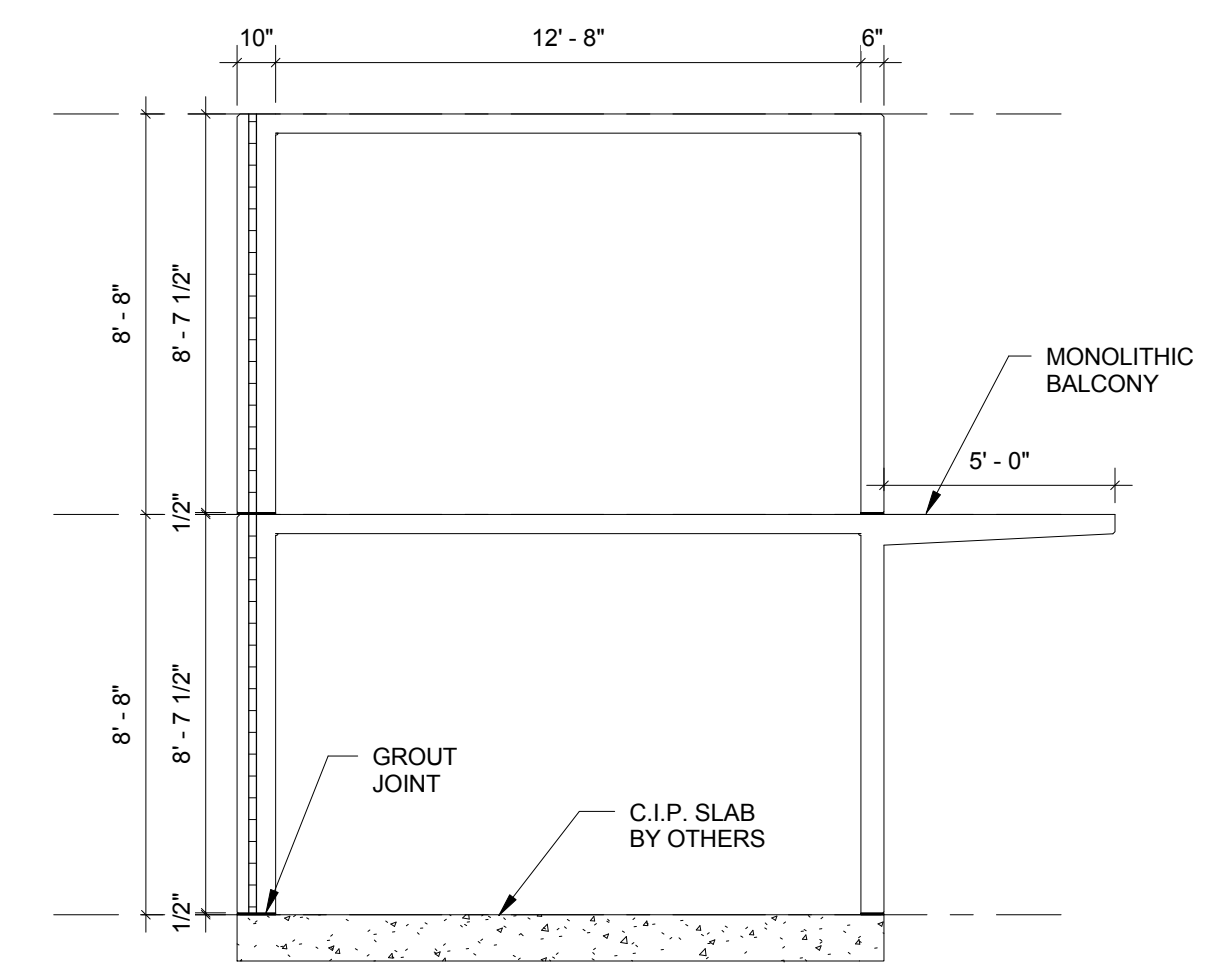


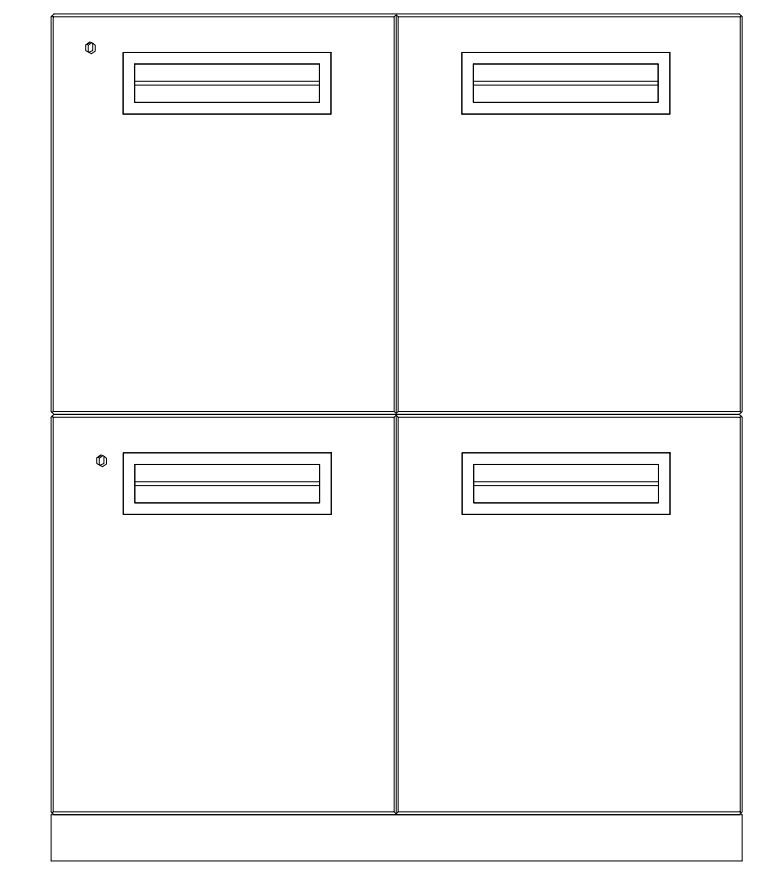
1 PLAN VIEW
1/2" = 1'-0"



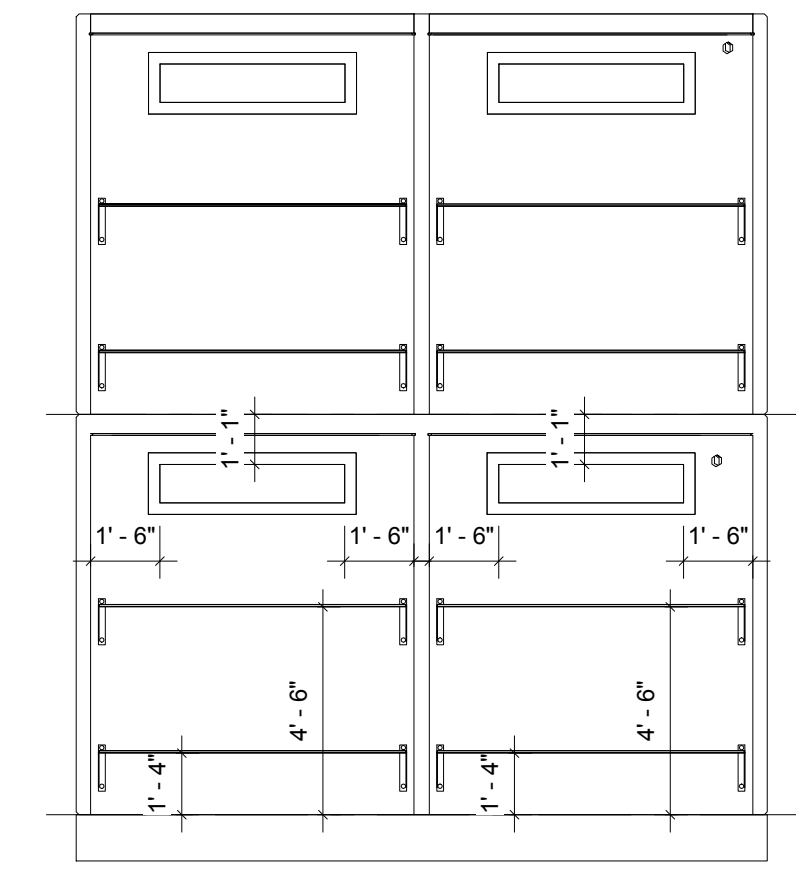
2 SHELF STOOL & DESK LOCATION
1/4" = 1'-0"



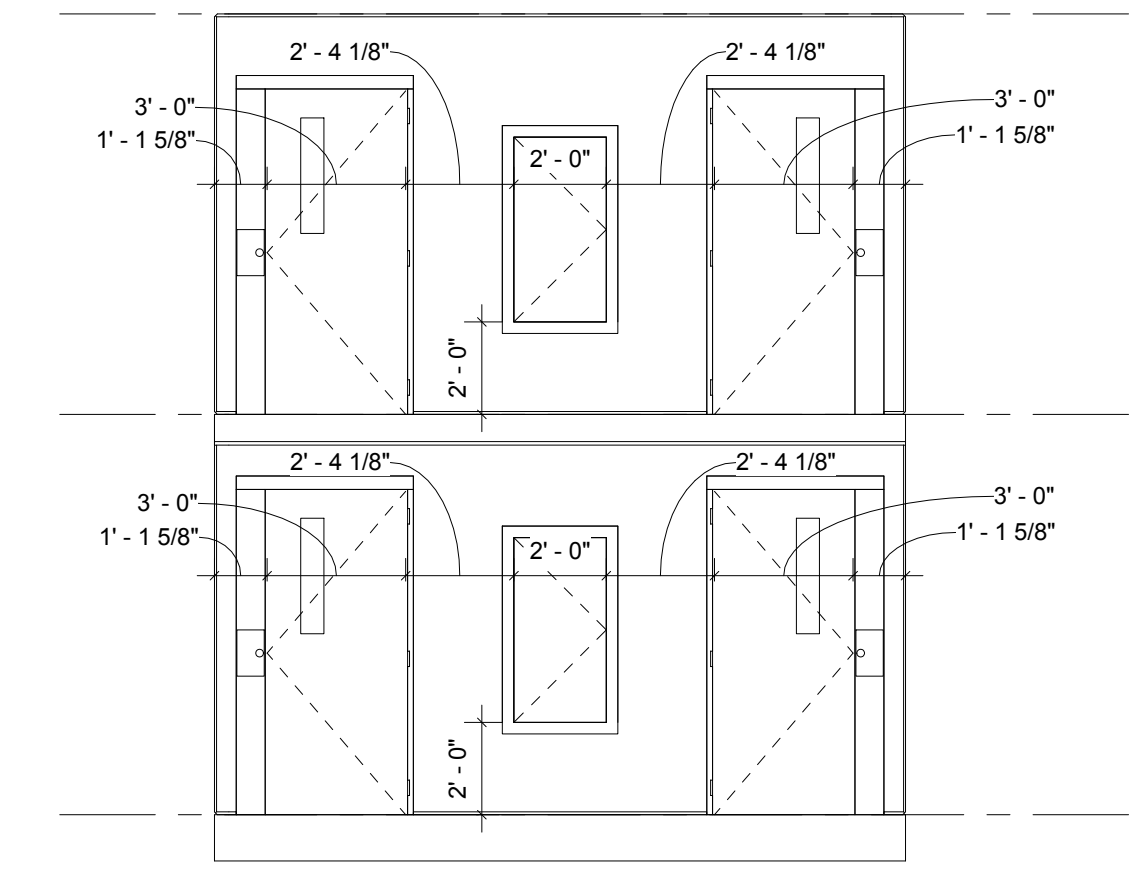
3 MODULE CROSS SECTION
1/4" = 1'-0"



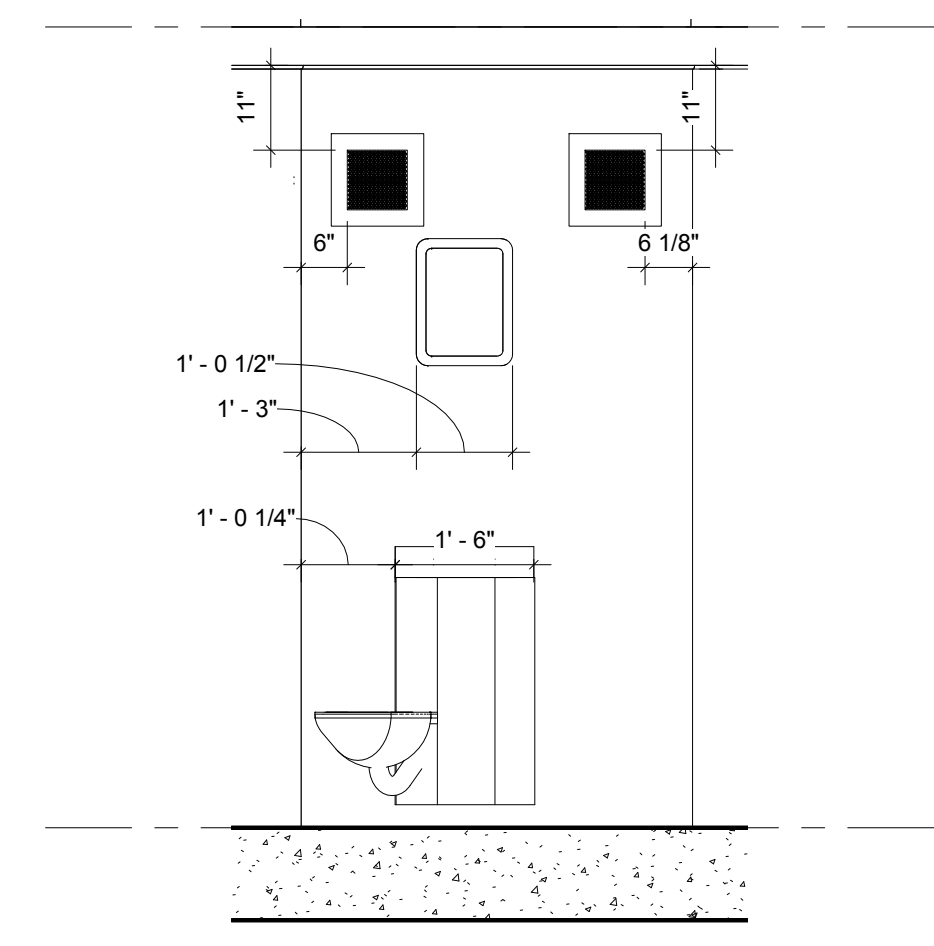
4 WINDOWS EXTERIOR
1/4" = 1'-0"



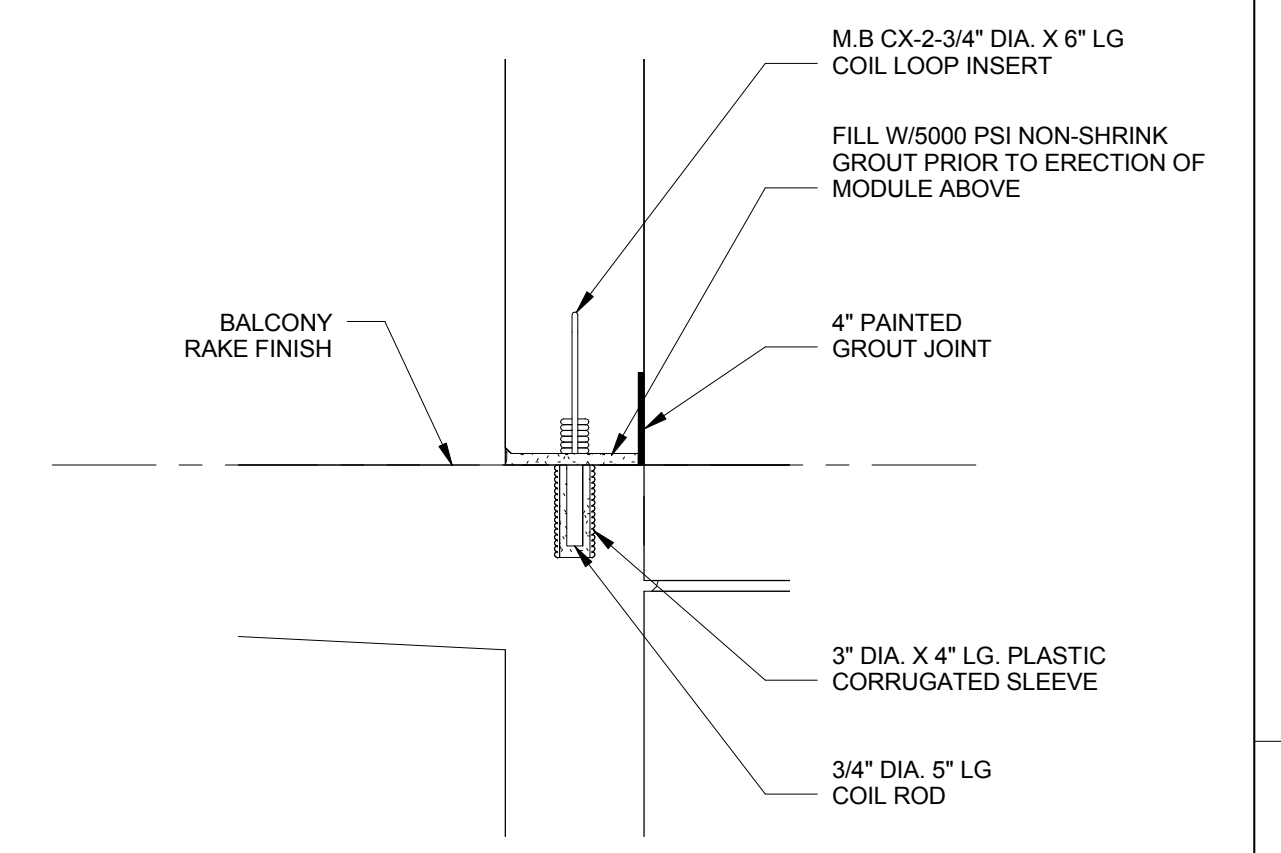
5 WINDOW & BUNK VIEW
1/4" = 1'-0"



6 CELL AND CHASE DOOR
1/4" = 1'-0"



7 LAVATORY, MIRROR, & HVAC GRATES
1/2" = 1'-0"

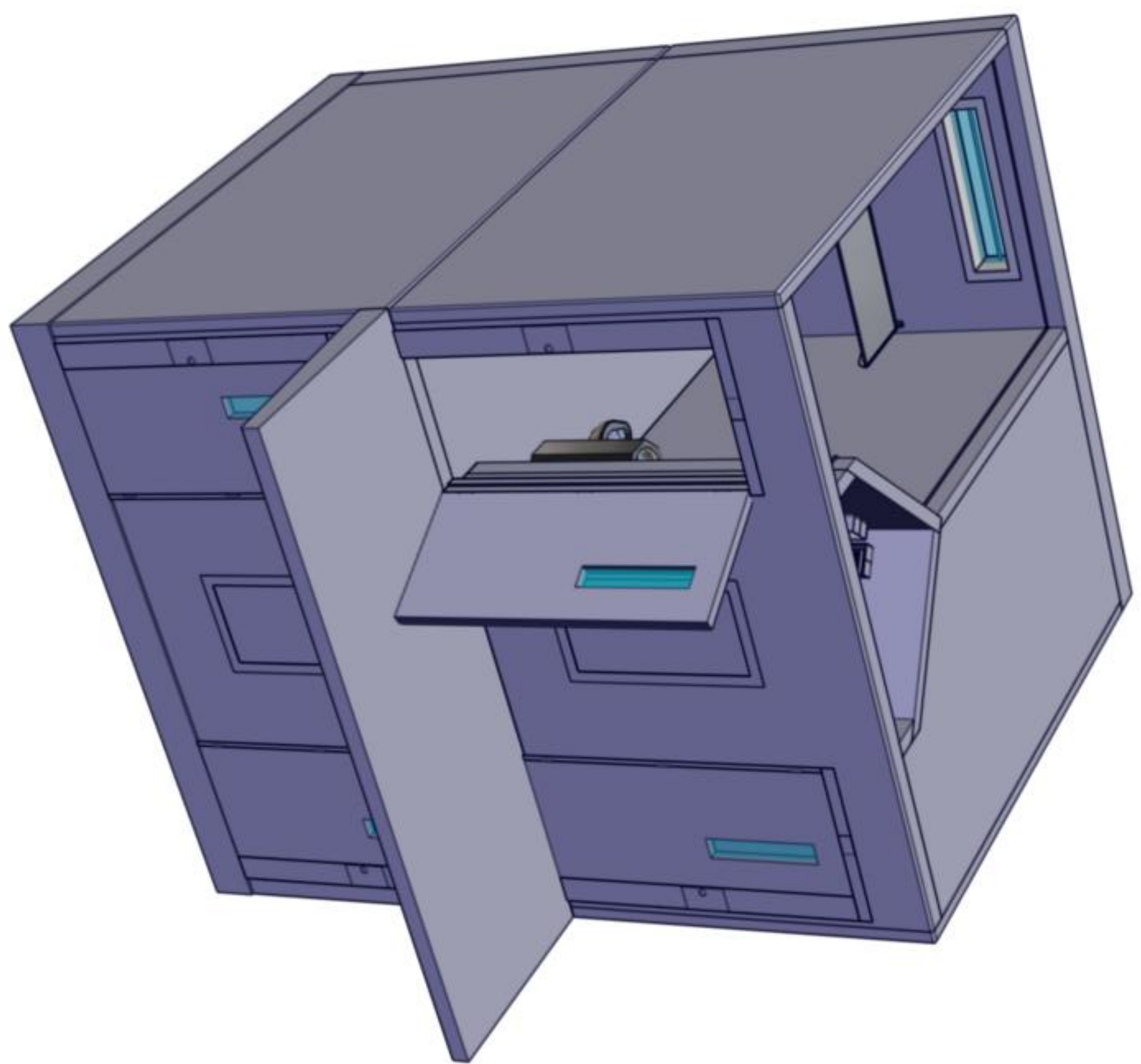


8 INTERIOR CELL TO CELL CONNECTION
1 1/2" = 1'-0"

TYPE: TBD	SHEET NAME: FRONT CHASE MODULE	DRAWING SET: FCM-1	DRAWN BY: AH	SHEET NO.: 1	THIS DOCUMENT IS THE PROPERTY OF OLDCASTLE PRECAST INC. IT IS SUBMITTED FOR REFERENCE PURPOSES ONLY AND SHALL NOT BE USED IN ANY WAY INJURIOUS TO THE INTERESTS OF SAID COMPANY.
		CUSTOMER: TBD	CHECKED BY: WF	DATE: 7/18/17	
PROJECT/LOCATION: TBD				REVISION: 1	



COPYRIGHT (C)
2017 OLDCASTLE PRECAST INC.
ALL RIGHTS RESERVED



FRONT CHASE MODULE (INTERACTIVE 3D MODEL)

THIS DOCUMENT IS THE PROPERTY OF
OLDCASTLE PRECAST INC.
IT IS SUBMITTED FOR REFERENCE
PURPOSES ONLY AND SHALL NOT BE
USED IN ANY WAY INJURIOUS TO THE
INTERESTS OF SAID COMPANY.
COPYRIGHT (C)
2017 OLDCASTLE PRECAST INC.
ALL RIGHTS RESERVED

