



THE FOLLOWING MEASUREMENTS ARE REQUIRED TO PLACE AN ORDER

CONTACT INFORMATION

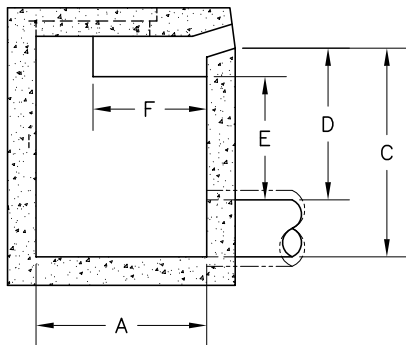
CONTACT DETAILS	Company:		
	Job Name:		
	Job Address:		City/State/Zip:
	Contact Name:		
	Email:		Phone:

INLET, FRAME & GRATE INFORMATION

TYPE	Inlet Type (e.g. PA Type M):	Grate MFG/Model (e.g. Neenah R-2060):
	Frame Model #:	Grate Type (Check One): <input type="checkbox"/> Cast Iron <input type="checkbox"/> Steel

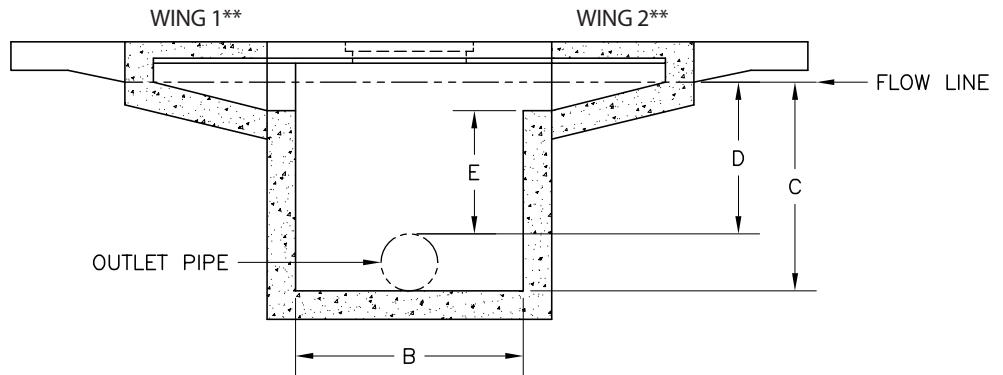
PLEASE PROVIDE MEASUREMENTS WITHIN 1/8" TO GUARANTEE ACCURATE INSTALLATION*

Side View



A _____
Measure from front wall to back wall of inlet

Front View



B _____
Measure inside width of inlet

C _____
Measure from inlet flow line to bottom of structure

D _____
Measure from inlet flow line to top of outlet

Wing 1

**if applicable

E1 _____
Measure from bottom of wing to top of outlet

F1 _____
Measure from front wall of inlet to back of wing

Wing 2

**if applicable

E2 _____
Measure from bottom of wing to top of outlet

F2 _____
Measure from front wall of inlet to back of wing

Inlet Pipes?

Do you have inlet pipes? Y N If yes, depth from flow line to top of pipe _____ Pipe inside diameter _____ Need to be filtered? Y N

Notes: If any obstructions or protrusions exist within the catch basin, please provide photos and accurate measurements to ensure proper installation. Submittal of this form represents that the customer acknowledges that all details provided are accurate, and that any issues resulting from inaccurate information herein are the responsibility of said customer. *Use second page for additional catch basins.

Please email completed forms to contactstormwater@oldcastle.com

www.oldcastlestormwater.com

Phone: (800) 579-8819



THE FOLLOWING MEASUREMENTS ARE REQUIRED TO PLACE AN ORDER

PLEASE PROVIDE MEASUREMENTS WITHIN 1/8" TO GUARANTEE ACCURATE INSTALLATION

A - Measure from front wall to back wall of inlet
 B - Measure inside width of inlet
 C - Measure from inlet flow line to bottom of structure
 D - Measure from inlet flow line to top of outlet

E1- Measure from bottom of wing to top of outlet
 F1- Measure from front wall of inlet to back of wing
 E2- Measure from bottom of wing to top of outlet
 F2- Measure from front wall of inlet to back of wing

Quantity/ Drain #	Measure from front wall to back of wall inlet	Measure inside width of inlet	Measure from inlet flow line to bottom of structure	Measure from inlet flow line to top of outlet	Wing 1 **if applicable		Wing 2 **if applicable	
	A	B	C	D	E1	F1	E2	F2

NOTES:

Notes: If any obstructions or protrusions exist within the catch basin, please provide photos and accurate measurements to ensure proper installation. Submittal of this form represents that the customer acknowledges that all details provided are accurate, and that any issues resulting from inaccurate information herein are the responsibility of said customer.