



**THE FOLLOWING MEASUREMENTS ARE REQUIRED TO PLACE AN ORDER**

**CONTACT INFORMATION**

<b>CONTACT DETAILS</b>	Company:		
	Job Name:		
	Job Address:		City/State/Zip:
	Contact Name:		
	Email:		Phone:

**INLET, FRAME & GRATE INFORMATION**

<b>TYPE</b>	Inlet Type (e.g. PA Type M):	Grate MFG/Model (e.g. Neenah R-2060):
	Frame Model #:	Grate Type (Check One): <input type="checkbox"/> Cast Iron <input type="checkbox"/> Steel

**PLEASE PROVIDE MEASUREMENTS WITHIN 1/8" TO GUARANTEE ACCURATE INSTALLATION\***

**Outlet Pipe**

Location of outlet	Distance from end
<input type="checkbox"/> End	_____
<input type="checkbox"/> Side	_____
<input type="checkbox"/> Bottom	_____

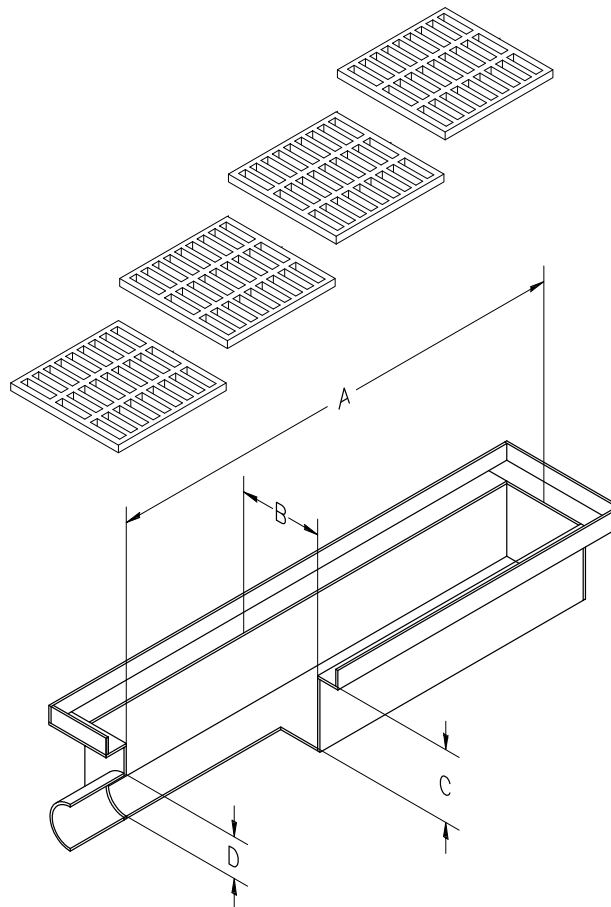
**Shape of channel**

Square

V-shape

U-shape

**Trench Drain**



A \_\_\_\_\_  
Length of trench drain

B \_\_\_\_\_  
Internal width of channel

C \_\_\_\_\_  
Depth from bottom of grate to floor

D \_\_\_\_\_  
Outlet inside diameter

**Notes:** If any obstructions or protrusions exist within the catch basin, please provide photos and accurate measurements to ensure proper installation. Submittal of this form represents that the customer acknowledges that all details provided are accurate, and that any issues resulting from inaccurate information herein are the responsibility of said customer. \* **Use second page for additional catch basins.**

Please email completed forms to [contactstormwater@oldcastle.com](mailto:contactstormwater@oldcastle.com)

[www.oldcastlestormwater.com](http://www.oldcastlestormwater.com)

Phone: (800) 579-8819



**THE FOLLOWING MEASUREMENTS ARE REQUIRED TO PLACE AN ORDER**

**PLEASE PROVIDE MEASUREMENTS WITHIN 1/8" TO GUARANTEE ACCURATE INSTALLATION**

- A - Length of trench drain
- B - Internal width of channel
- C - Depth from bottom of grate to floor
- D - Outlet inside diameter

Quantity/ Drain #	Length of trench drain	Internal width of channel	Depth from bottom of grate to floor	Outlet inside diameter
	A	B	C	D

**NOTES:**

**Notes:** If any obstructions or protrusions exist within the catch basin, please provide photos and accurate measurements to ensure proper installation. Submittal of this form represents that the customer acknowledges that all details provided are accurate, and that any issues resulting from inaccurate information herein are the responsibility of said customer.