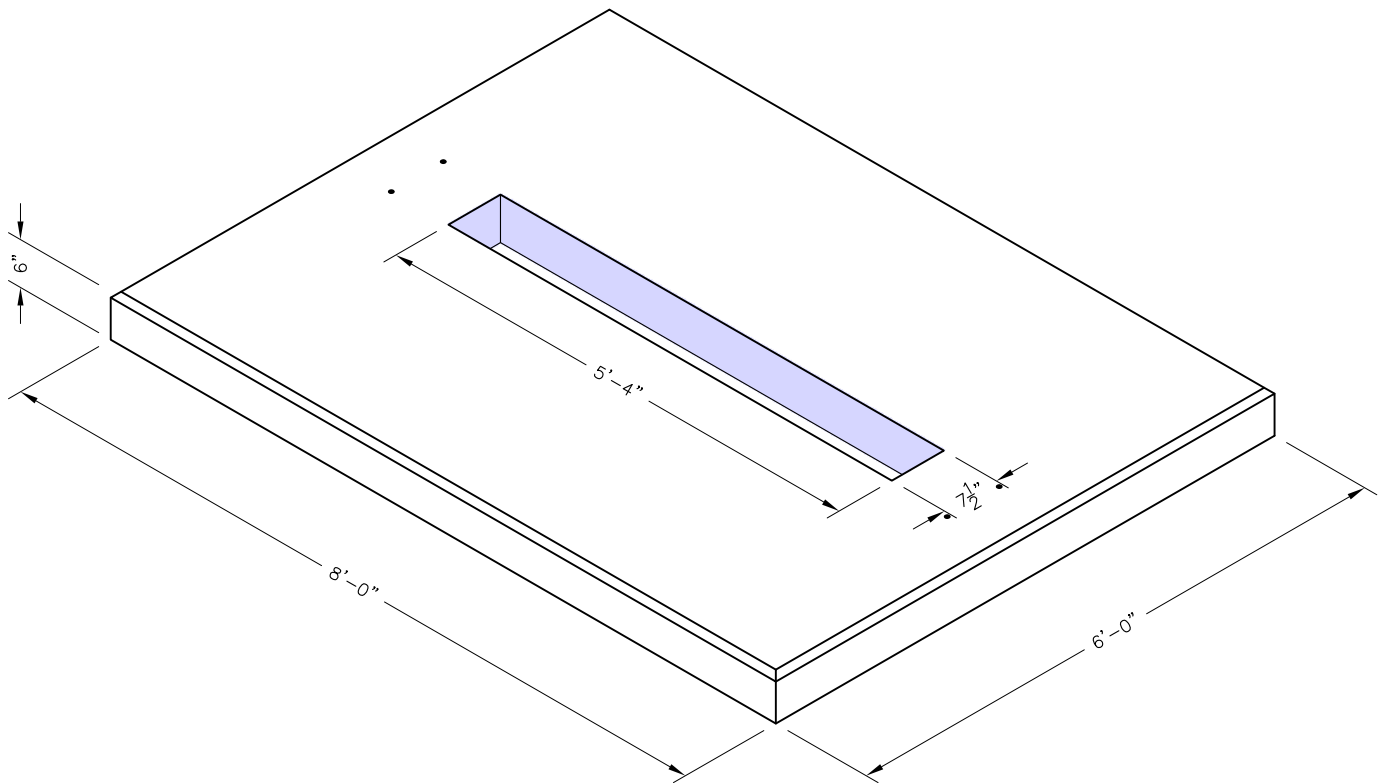


Pad 68 Emerson

Weight: 3,400 lbs.
Item #: 1500300

**SPECIFICATIONS:**

1. **Concrete:** Has a Design Strength of 5,000psi at 28 Days.
2. **Steel Reinforcement:** ASTM A-615, Grade 60.
3. **Slab shall be supported by 3" Min. Layer of Level compacted crushed stone or sand bed.**
4. **Slab designed for 3,000 lb dead load.**