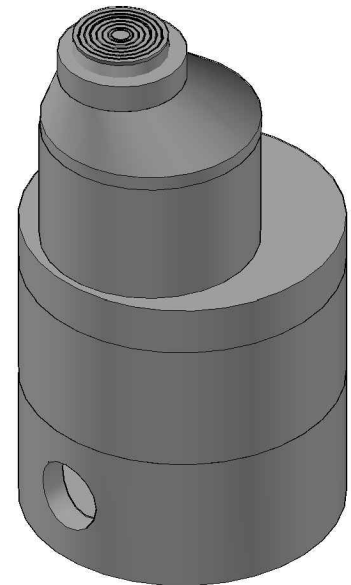
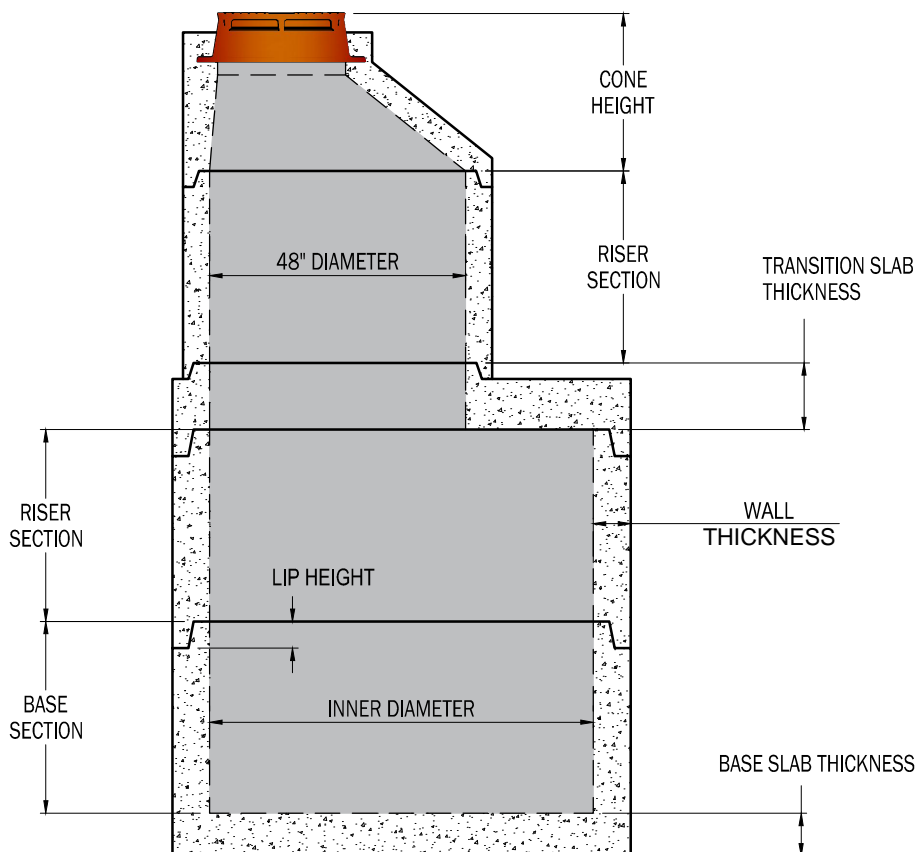


MANHOLES

MODEL: COMBINATION FOR ROUND PRODUCT

INNER DIAMETER	WALL THICKNESS	BASE SLAB THICKNESS	BASE SLAB WEIGHT (LBS)	OPTIONAL SEPARATE BASE SLAB	FLAT TOP THICKNESS	FLAT TOP WEIGHT (NO OPENING)	TRANSITION SLAB THICKNESS INCLUDING TOP LIP	TRANSITION SLAB WEIGHT (LBS) (48" TRANSITION)	LIP HEIGHT	BASE HEIGHTS	RISER HEIGHTS	VERTICAL FOOT WEIGHT (LBS)
48"	5"	6"	1376	NO	8"	1835	N/A	N/A	4.5"	18" TO 66"	12" TO 66"	867
60"	6"	8"	2827	NO	8"	2827	12.5"	1570	5"	12" TO 90"	12" TO 96"	1296
72"	7"	8"	4034	YES	8"	4034	12.5"	2777	5"	12" TO 96"	12" TO 96"	1810
84"	9"	12"	8512	YES	12"	8512	16.5"	6627	6"	12" TO 84"	12" TO 90"	2739
96"	9"	14"	12404	YES	12"	10632	16.5"	8747	6"	12" TO 90"	12" TO 96"	3093
120"	10"	14.5"	19376	YES	14"	19376	18.5"	17177	6"	12" TO 48"	12" TO 60"	4254
120"	11"	14.5"	19933	YES	14"	19933	18.5"	17734	6"	12" TO 48"	12" TO 60"	4716

WATER



C1	WEIGHT
24" CONCENTRIC	1,796 LBS
24" CONCENTRIC	1,284 LBS
30" CONCENTRIC	2,379 LBS
30" CONCENTRIC	1,840 LBS