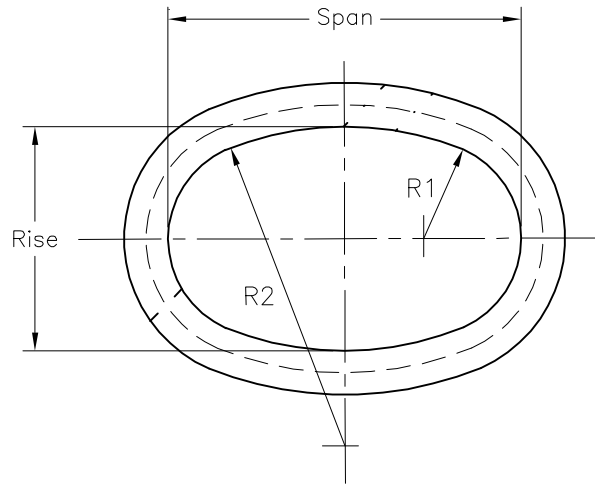
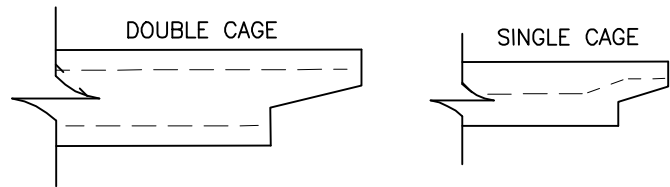


Upper Half Shows Single Cage
Lower Half Shows Double Cage



END VIEW SECTION



REINFORCEMENT AT BELL ENDS OF PIPE

ELLIPTICAL PIPE

EQUIV. ROUND PIPE DIAMETER	WATER AREA	NOMINAL INSIDE RISE X SPAN	STOCK LAYING LENGTH L	WALL THICKNESS T	R1	R2	NOMINAL OUTSIDE HEIGHT X WIDTH	WEIGHT PER FOOT
inches	sq.ft.	in x in	feet	inches	inches	inches	in x in	lbs.
18	1.8	14 X 23	8	2.3/4"	6.3/32"	19.15/16"	19.1/2X28.1/2	200
24	3.3	19 X 30	8	3.1/4"	8.7/32"	26.1/4"	25.1/2X36.1/2	300
30	5.1	24 X 38	8	3.3/4"	10.1/4"	32.13/16"	31.1/2X45.1/2	430
36	7.4	29 X 45	8	4.1/2"	12.5/16"	39.3/8"	38X54	625
39	8.8	32 X 49	8	4.3/4"	13.9/16"	42.21/32"	41.1/2X58.1/2	720
42	10.2	34 X 53	8	5"	14.19/32"	45.29/32"	44X63	815
48	12.9	38 X 60	8	5.1/2"	16.7/16"	51.19/32"	49X71	1000
54	16.6	43 X 68	8	6"	18.21/32"	58.13/32"	55X80	1235

PIPE MEETS ASTM C-507



**Oldcastle Precast®
Vanguard**

5230 N.W. 17th Street, Topeka, KS 66618
Phone: 785.232.2982 Fax: 785.232.5842

PIPEDATA

FILE NAME: 120DPCCELIPHORZDATA_DET

ISSUE DATE: January 2007

www.vanguardprecast.com

**Horizontal Elliptical
Pipe Data Sheet**

Copyright © 2007 Oldcastle Precast