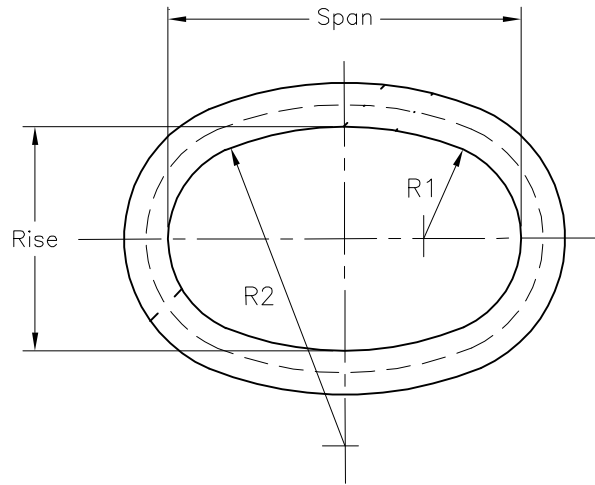
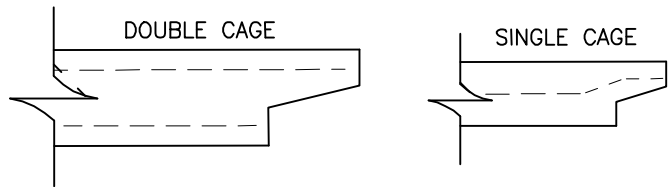


Upper Half Shows Single Cage
Lower Half Shows Double Cage



END VIEW SECTION



REINFORCEMENT AT BELL ENDS OF PIPE

ELLIPTICAL PIPE

| EQUIV. ROUND PIPE DIAMETER | WATER AREA | NOMINAL INSIDE RISE X SPAN | STOCK LAYING LENGTH L | WALL THICKNESS T | R1 | R2 | NOMINAL OUTSIDE HEIGHT X WIDTH | WEIGHT PER FOOT |
|----------------------------|------------|----------------------------|-----------------------|------------------|-----------|-----------|--------------------------------|-----------------|
| inches | sq.ft. | in x in | feet | inches | inches | inches | in x in | lbs. |
| 18 | 1.8 | 14 X 23 | 8 | 2.3/4" | 6.3/32" | 19.15/16" | 19.1/2X28.1/2 | 200 |
| 24 | 3.3 | 19 X 30 | 8 | 3.1/4" | 8.7/32" | 26.1/4" | 25.1/2X36.1/2 | 300 |
| 30 | 5.1 | 24 X 38 | 8 | 3.3/4" | 10.1/4" | 32.13/16" | 31.1/2X45.1/2 | 430 |
| 36 | 7.4 | 29 X 45 | 8 | 4.1/2" | 12.5/16" | 39.3/8" | 38X54 | 625 |
| 39 | 8.8 | 32 X 49 | 8 | 4.3/4" | 13.9/16" | 42.21/32" | 41.1/2X58.1/2 | 720 |
| 42 | 10.2 | 34 X 53 | 8 | 5" | 14.19/32" | 45.29/32" | 44X63 | 815 |
| 48 | 12.9 | 38 X 60 | 8 | 5.1/2" | 16.7/16" | 51.19/32" | 49X71 | 1000 |
| 54 | 16.6 | 43 X 68 | 8 | 6" | 18.21/32" | 58.13/32" | 55X80 | 1235 |

PIPE MEETS ASTM C-507



**Oldcastle Precast®
Vanguard**

5230 N.W. 17th Street, Topeka, KS 66618
Phone: 785.232.2982 Fax: 785.232.5842

PIPEDATA

FILE NAME: 120DPCCELIPHORZDATA_DET

ISSUE DATE: January 2007

www.vanguardprecast.com

**Horizontal Elliptical
Pipe Data Sheet**

Copyright © 2007 Oldcastle Precast