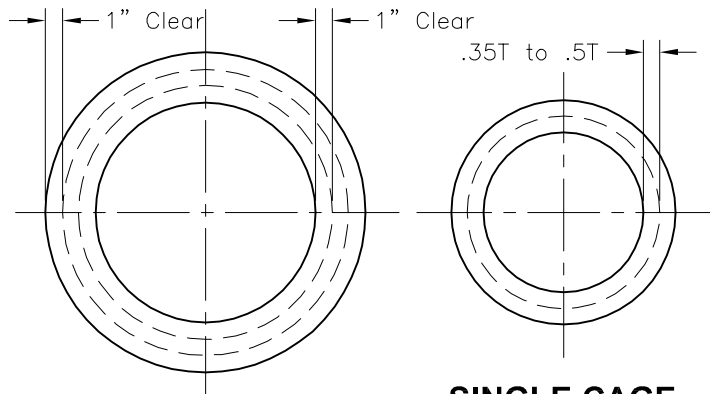
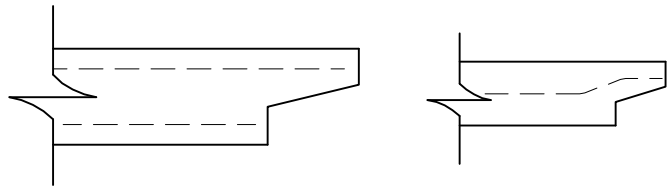


Upper Half Shows Single Cage
Lower Half Shows Double Cage



DOUBLE CAGE

SINGLE CAGE



REINFORCEMENT AT BELL ENDS OF PIPES

ROUND PIPE

PIPE DIAMETER D	LAYING LENGTHS L	WATER AREA	WALL THICKNESS T	ASTM WALL	OUTSIDE DIAMETER	WEIGHT PER FOOT
inches	feet	sq.ft.	inches		inches	lbs
12	6.5	0.79	2	B	16	93
15	8	1.23	2.1/4	B	19.1/2	128
18	8	1.77	2.1/2	B	23	169
21	8	2.40	2.3/4	B	26.1/2	216
24	8	3.14	3	B	30	268
27	8	4.0	3.1/4	B	33.1/2	325
30	8	4.91	3.1/2	B	37	388
36	8	7.1	4	B	44	530
42	8	9.62	5.1/4	C	52.1/2	811
48	8	12.6	5	B	58	875
54	8	15.90	5.1/2	B	65	1075
60	8	19.63	6	B	72	1295
66	8	23.8	6.1/2	B	79	1550
72	8	28.3	7	B	86	1820

PIPE MEETS ASTM C-76



5230 N.W. 17th Street, Topeka, KS 66618
Phone: 785.232.2982 Fax: 785.232.5842

PIPEDATA

FILE NAME: 120DPCROUNDDATA_DET

ISSUE DATE: January 2007

www.vanguardprecast.com

Round Pipe Data Sheet

Copyright © 2007 Oldcastle Precast