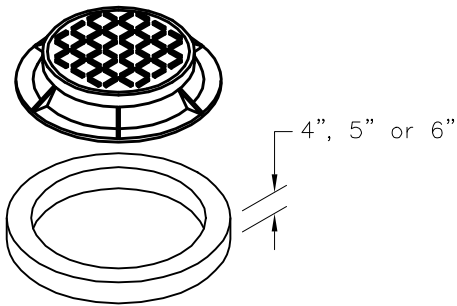


Ring and Cover

As Specified

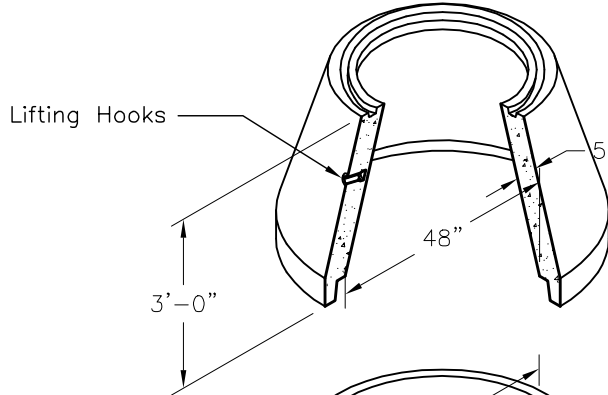
Grade Rings

27" Keyed or Blunt



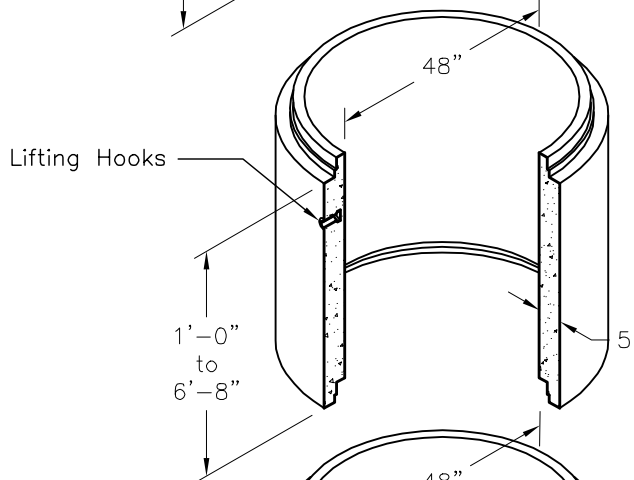
Concentric Cone

Height=3'-0"



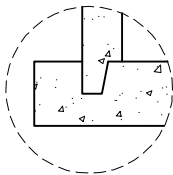
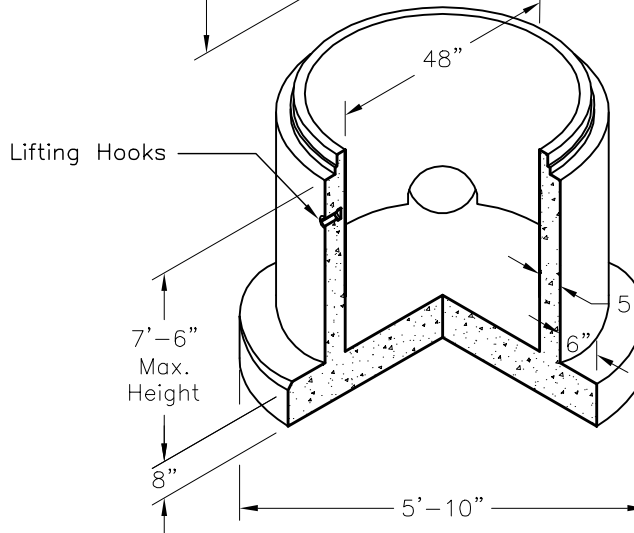
Riser Section

Standard Height:
1'-4" Multiples



**Base Riser
w/Integral Base Slab**

Field Cast Invert



**Alternate Design
Manufactures Option**



5230 N.W. 17th Street, Topeka, KS 66618
Phone: 785.232.2982 Fax: 785.232.5842

48MHCC36

FILE NAME: 120DMM48MHCC36_ISO

ISSUE DATE: January 2007

www.vanguardprecast.com

**Standard 48" ID Manhole
3'-0" Concentric Cone**

Copyright © 2007 Oldcastle Precast