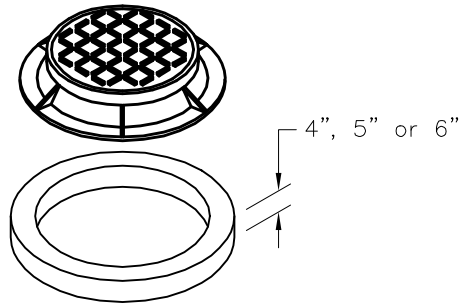


Ring and Cover

As Specified

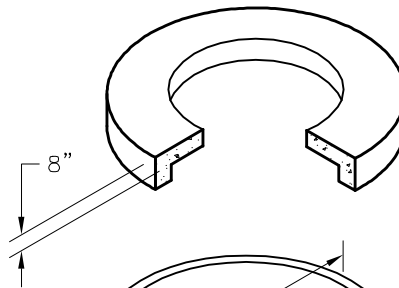
Grade Rings

24" or 27" Keyed or Blunt



Concentric Flat Top

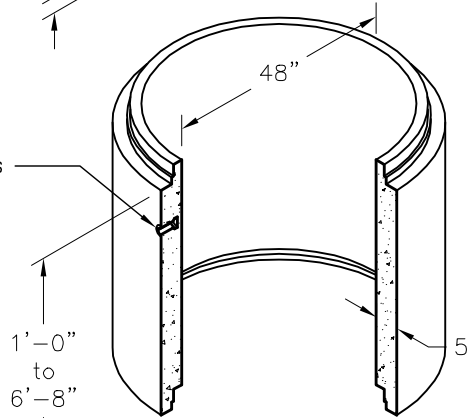
24" or 27" Keyed or Blunt



Riser Section

Standard Height:
1'-4" Multiples

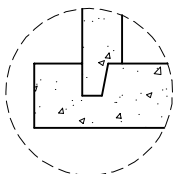
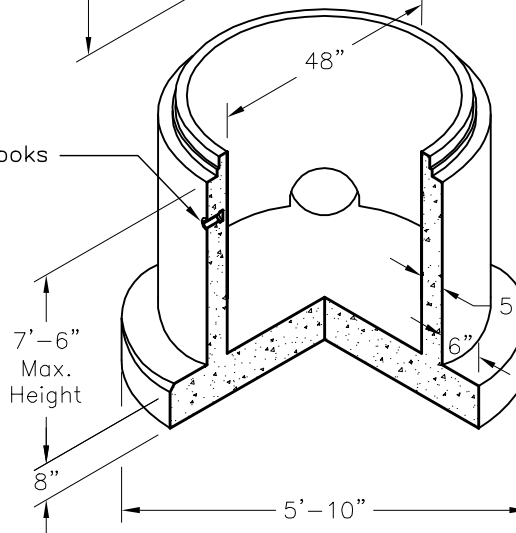
Lifting Hooks



Base Riser w/Integral Base Slab

Field Cast Invert

Lifting Hooks



Alternate Design Manufactures Option



5230 N.W. 17th Street, Topeka, KS 66618
Phone: 785.232.2982 Fax: 785.232.5842

48MHCFT

FILE NAME: 120DMM48MHCFT_ISO

ISSUE DATE: January 2007

www.vanguardprecast.com

Standard 48" ID Manhole Concentric Flat Top

Copyright © 2007 Oldcastle Precast