

Ring and Cover

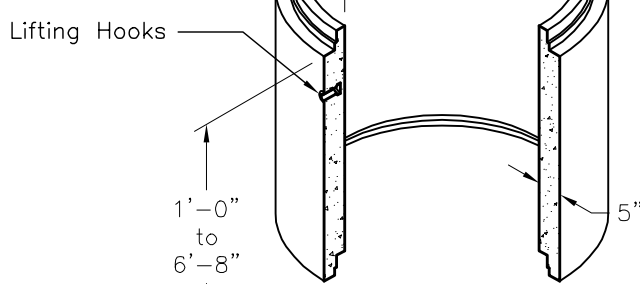
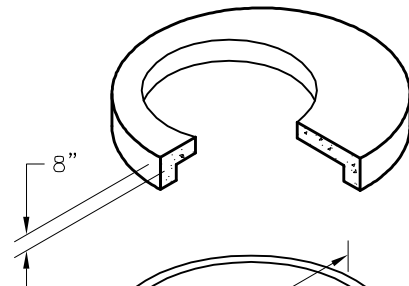
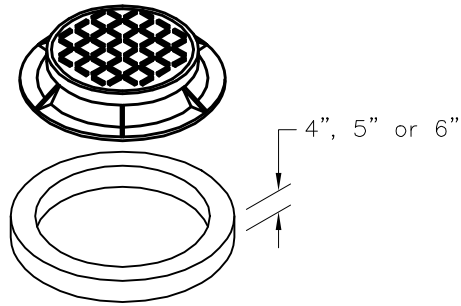
As Specified

Grade Rings

24" or 27" Keyed or Blunt

Eccentric Flat Top

24" or 27" Keyed or Blunt

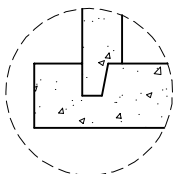
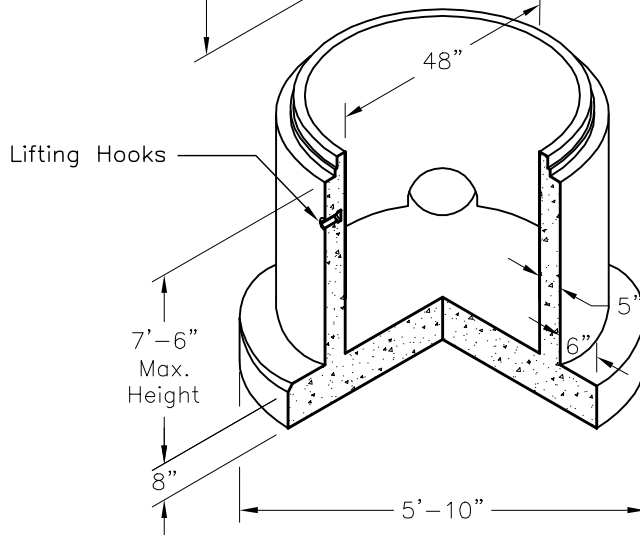


Riser Section

Standard Height:
1'-4" Multiples

**Base Riser
w/Integral Base Slab**

Field Cast Invert



**Alternate Design
Manufactures Option**



**Oldcastle Precast®
Vanguard**

5230 N.W. 17th Street, Topeka, KS 66618
Phone: 785.232.2982 Fax: 785.232.5842

48MHEFT

FILE NAME: 120DMM48MHEFT_ISO

ISSUE DATE: January 2007

www.vanguardprecast.com

**Standard 48" ID Manhole
Eccentric Flat Top**

Copyright © 2007 Oldcastle Precast