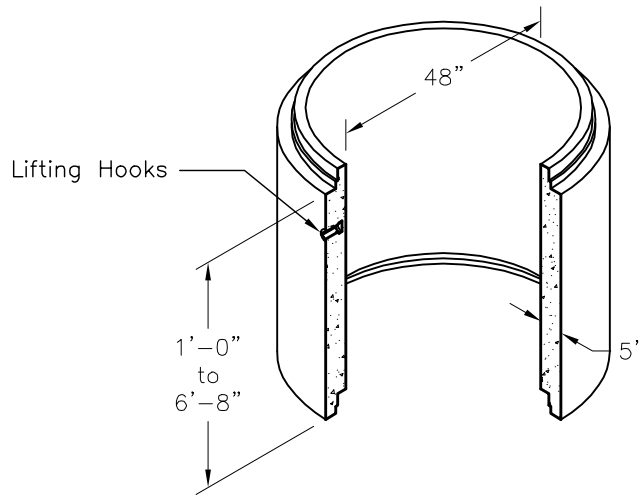


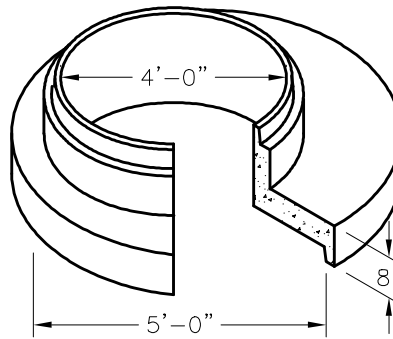
**48" Riser Sections**

Continue on with  
48" Manhole Options



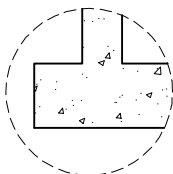
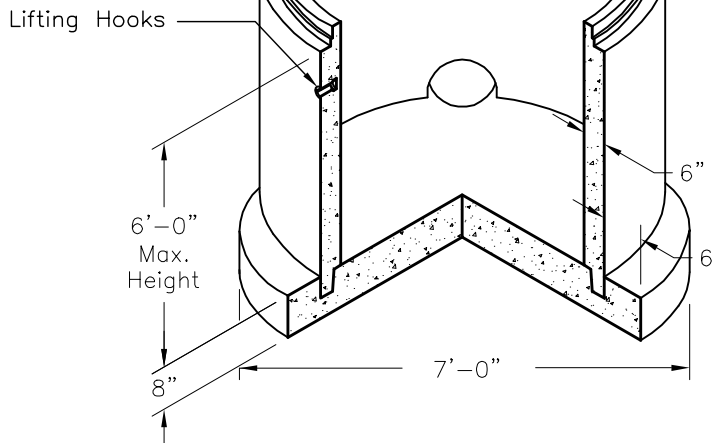
**Reducing Flat Top**

Handling Hooks Provided  
60" to 48" ID



**Base Riser  
w/Integral Base Slab**

Field Cast Invert



**Alternate Design  
Manufactures Option**



**Oldcastle Precast®  
Vanguard**

5230 N.W. 17th Street, Topeka, KS 66618  
Phone: 785.232.2982 Fax: 785.232.5842

**60MHERS6048**

FILE NAME: 120DMM60MHERS6048\_ISO

ISSUE DATE: January 2007

[www.vanguardprecast.com](http://www.vanguardprecast.com)

**Standard 60" ID Manhole  
60" to 48"  
Eccentric Reducing Slab**

Copyright © 2007 Oldcastle Precast