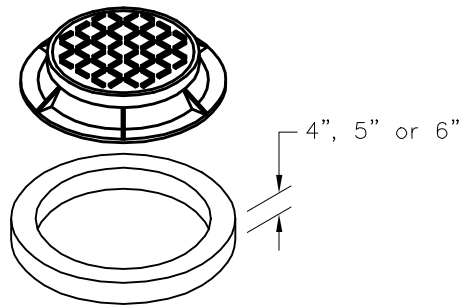


### Ring and Cover

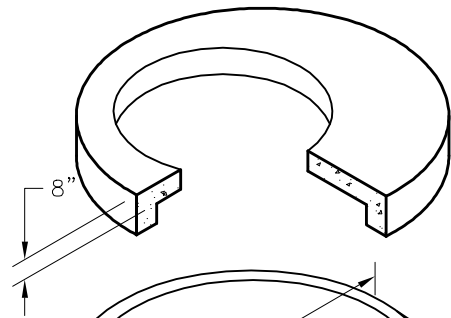
As Specified

### Grade Rings

24" or 27" Keyed or Blunt



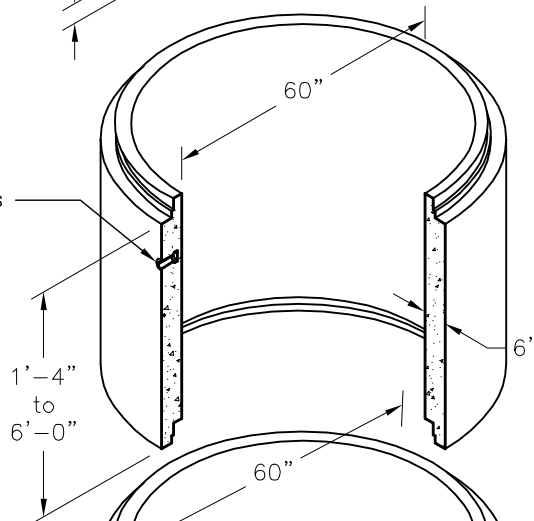
### Eccentric Flat Top



### Riser Section

Standard Height:  
1'-4" Multiples

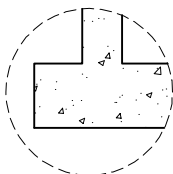
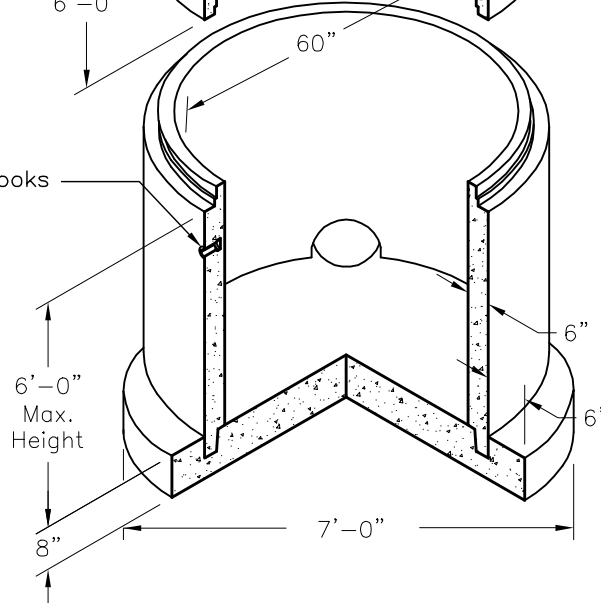
Lifting Hooks



### Base Riser w/Integral Base Slab

Field Cast Invert

Lifting Hooks



### Alternate Design Manufactures Option



5230 N.W. 17th Street, Topeka, KS 66618  
Phone: 785.232.2982 Fax: 785.232.5842

### 60MHEFT

FILE NAME: 120DMM60MHEFT\_ISO

ISSUE DATE: January 2007

[www.vanguardprecast.com](http://www.vanguardprecast.com)

### **Standard 60" ID Manhole Eccentric Flat Top**

Copyright © 2007 Oldcastle Precast