

Ring and Cover

As Specified

Grade Rings

27" Keyed or Blunt

Concentric Cone

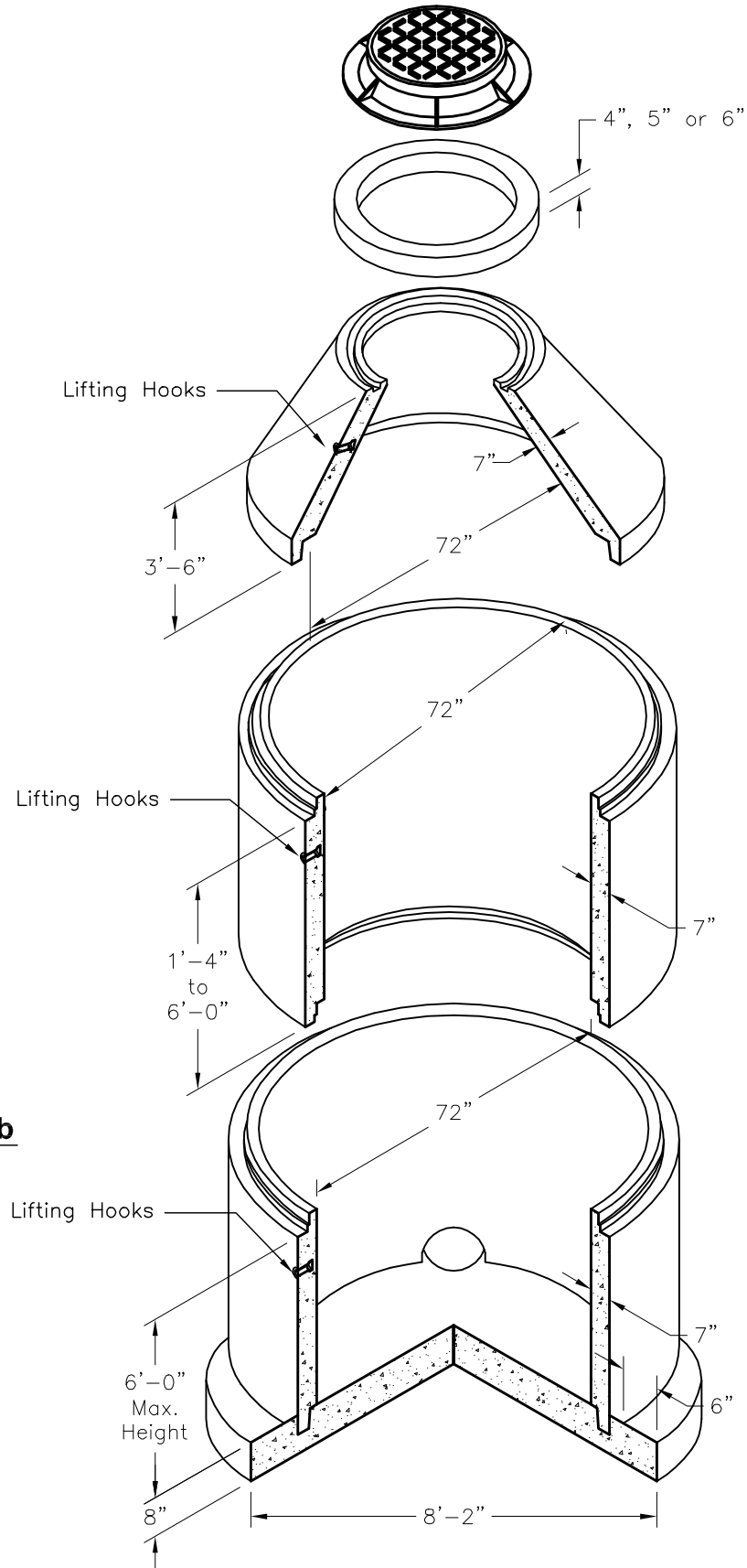
Height=3'-6"

Riser Section

Standard Height:
1'-4" Multiples

**Base Riser
w/Integral Base Slab**

Field Cast Invert



**Oldcastle Precast®
Vanguard**

5230 N.W. 17th Street, Topeka, KS 66618
Phone: 785.232.2982 Fax: 785.232.5842

72MHCC42

FILE NAME: 120DMM72MHCC42_ISO

ISSUE DATE: January 2007

www.vanguardprecast.com

**Standard 72" ID Manhole
3'-6" Concentric Cone**

Copyright © 2007 Oldcastle Precast