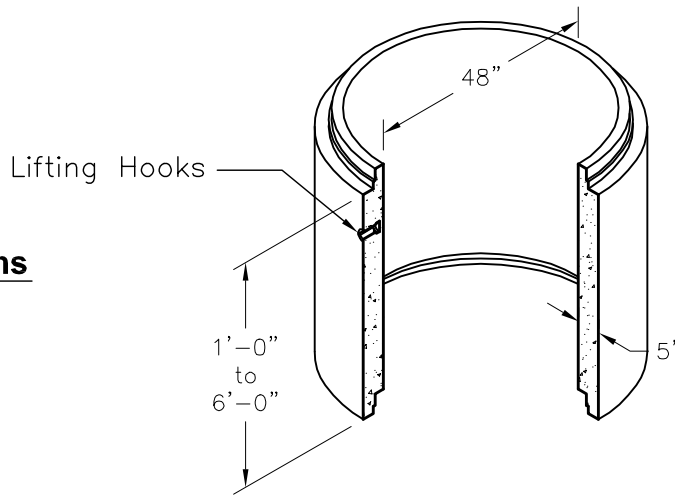


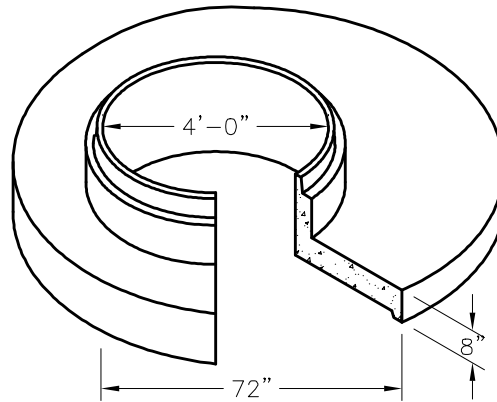
48" Riser Sections

Continue on with
48" Manhole Options



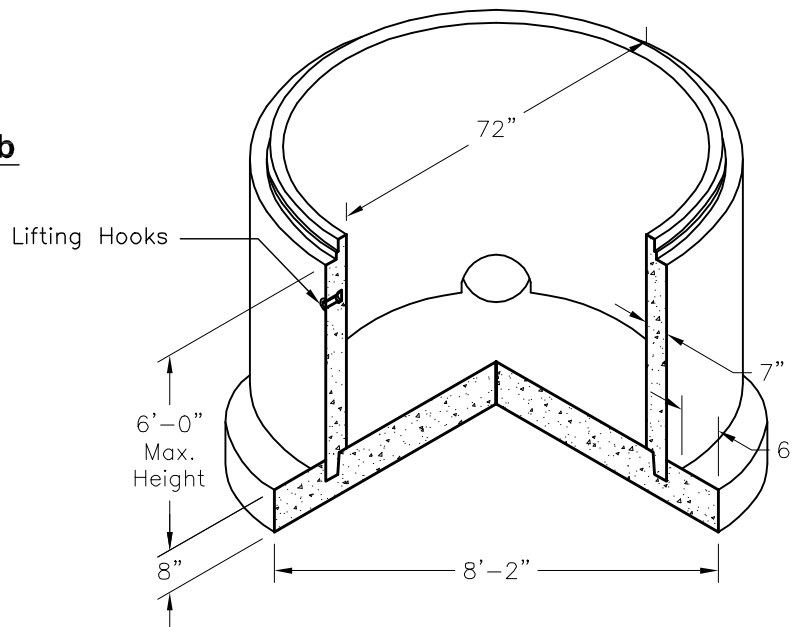
Reducing Flat Top

Handling Hooks Provided
72" to 48" ID



**Base Riser
w/Integral Base Slab**

Field Cast Invert



**Oldcastle Precast®
Vanguard**

5230 N.W. 17th Street, Topeka, KS 66618
Phone: 785.232.2982 Fax: 785.232.5842

72MHERS7248

FILE NAME: 120DMM72MHERS7248_ISO

ISSUE DATE: January 2007

www.vanguardprecast.com

**Standard 72" ID Manhole
72" to 48"
Eccentric Reducing Slab**

Copyright © 2007 Oldcastle Precast