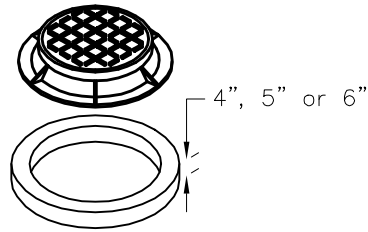


## Ring and Cover

As Specified

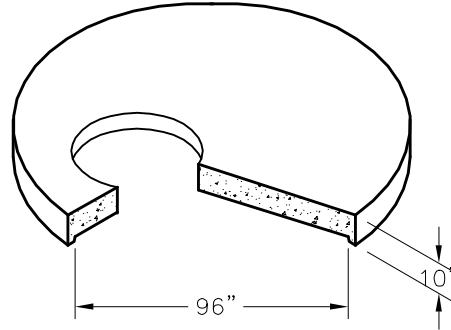
## Grade Rings

24" or 27" Keyed or Blunt



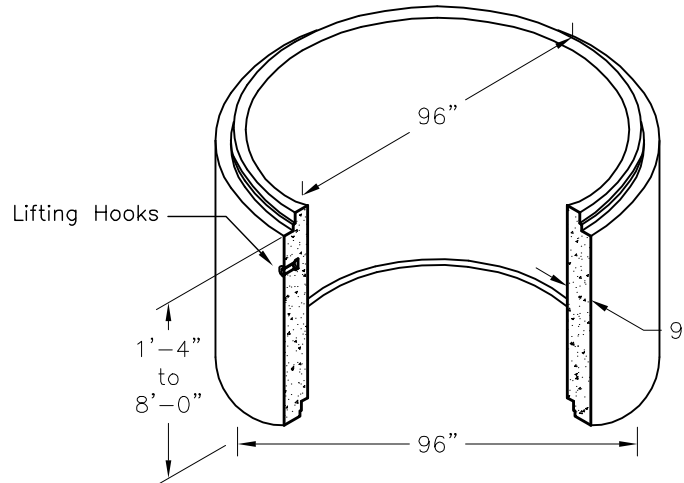
## Eccentric Flat Top

Keyed or Blunt



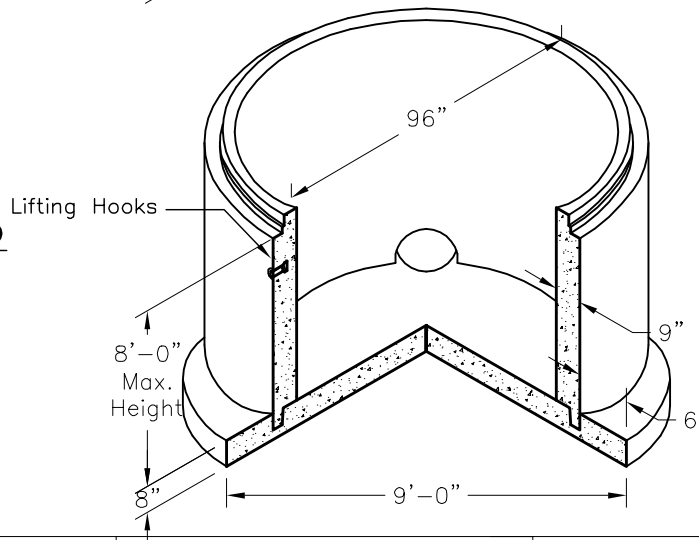
## Riser Section

Standard Height:  
1'-4" Multiples



## Base Riser w/Integral Base Slab

Field Cast Invert



**Oldcastle Precast®**  
**Vanguard**

5230 N.W. 17th Street, Topeka, KS 66618  
Phone: 785.232.2982 Fax: 785.232.5842

**96MHEFT**

FILE NAME: 120DMM96MHEFT\_ISO

ISSUE DATE: January 2007

[www.vanguardprecast.com](http://www.vanguardprecast.com)

**Standard 96" ID Manhole  
Eccentric Flat Top**

Copyright © 2007 **Oldcastle Precast**