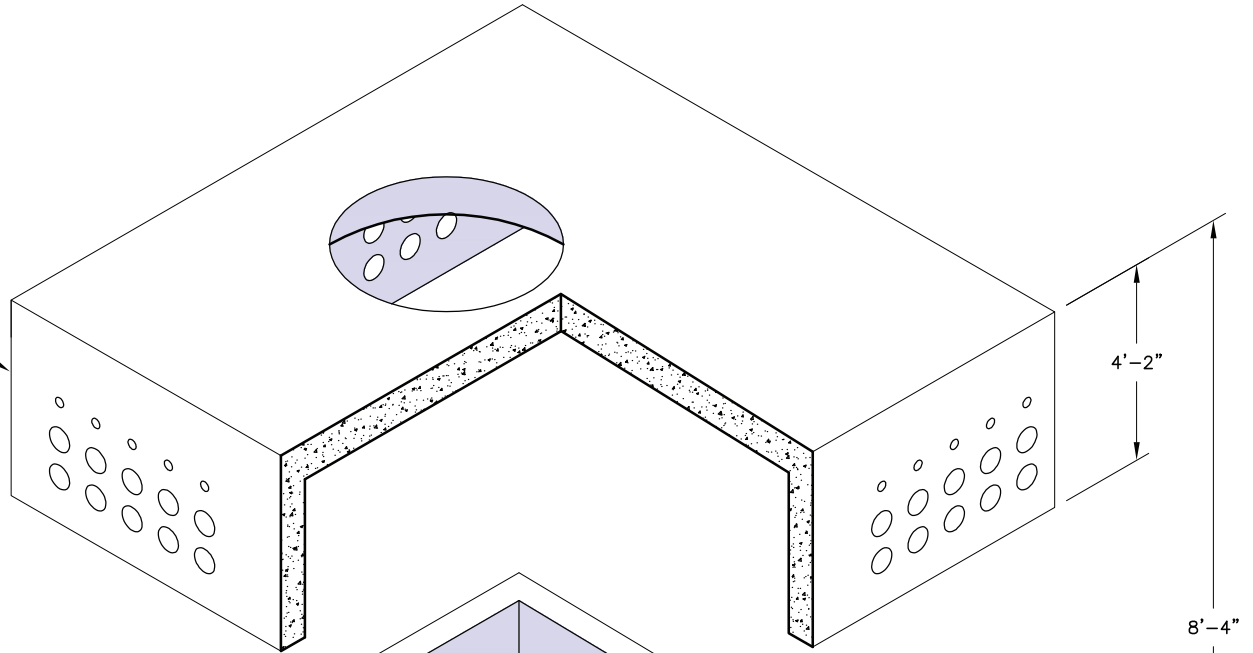
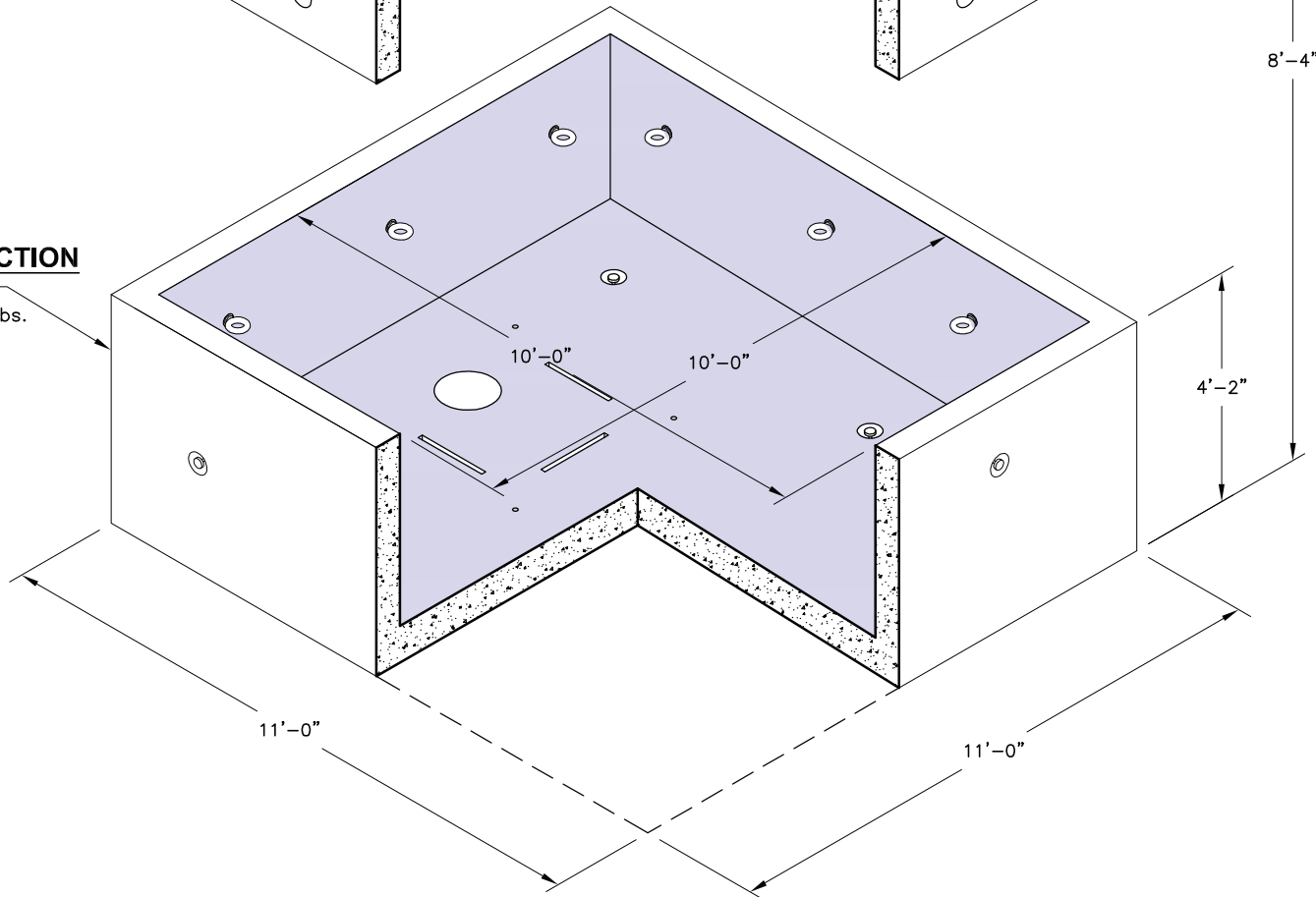
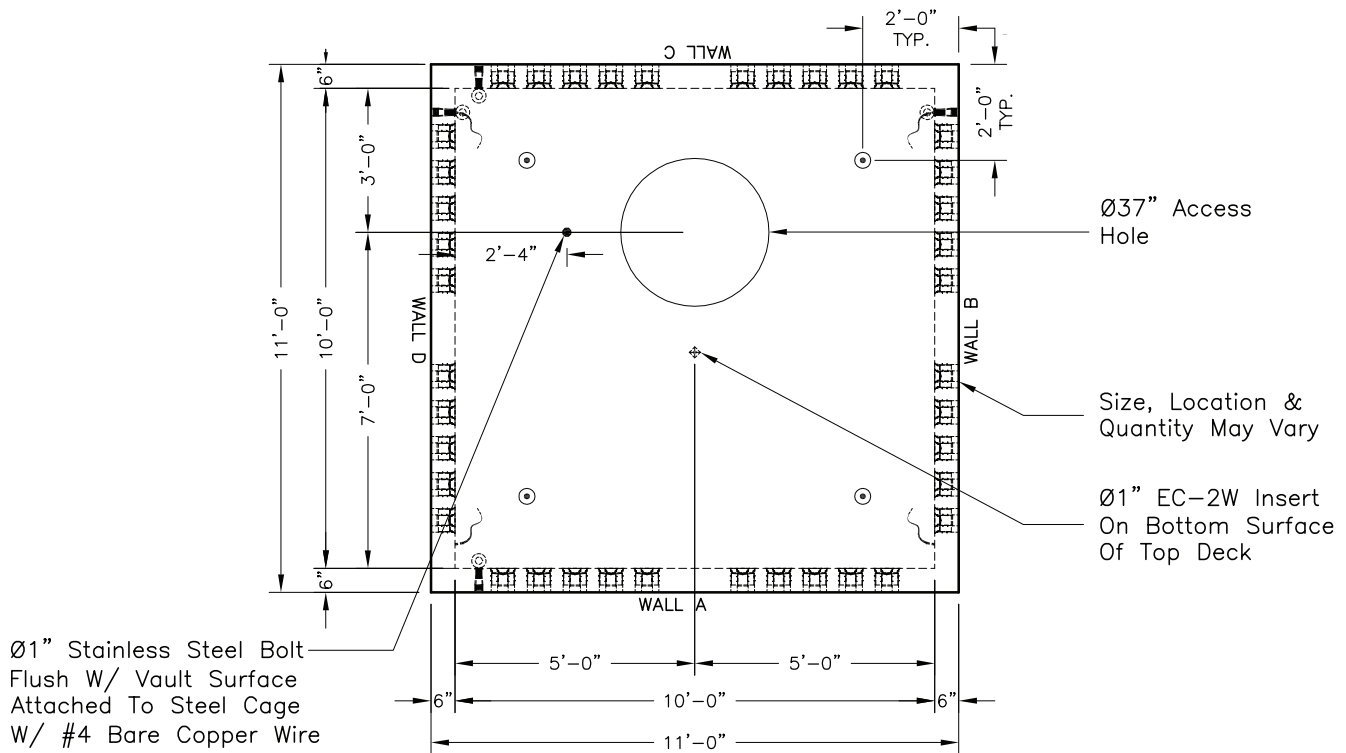
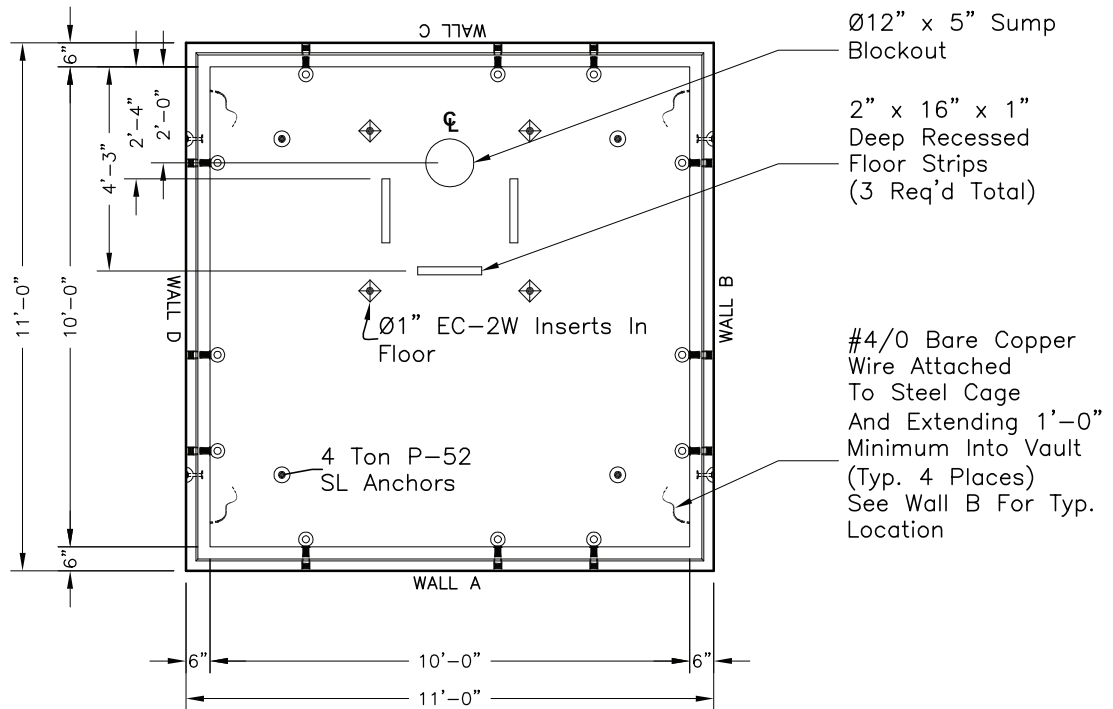


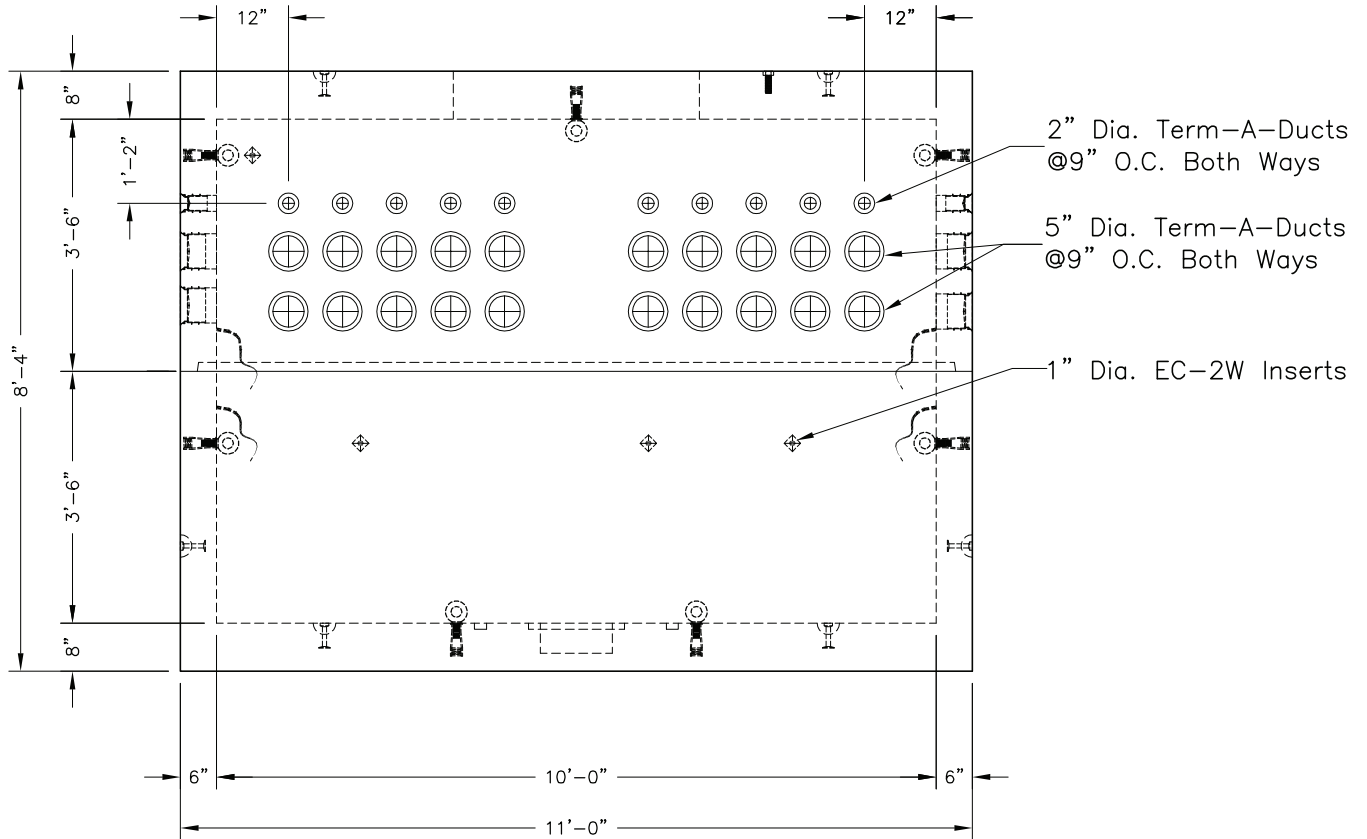
TOP SECTION
1010EV
Wt = 22,996 lbs.



LOWER SECTION
1010-EV
Wt = 23,125 lbs.




Top Plan View

Base Plan View



Typical Elevation View

NOTE:

- Size, Location, & Quantity of Termaducts may vary.