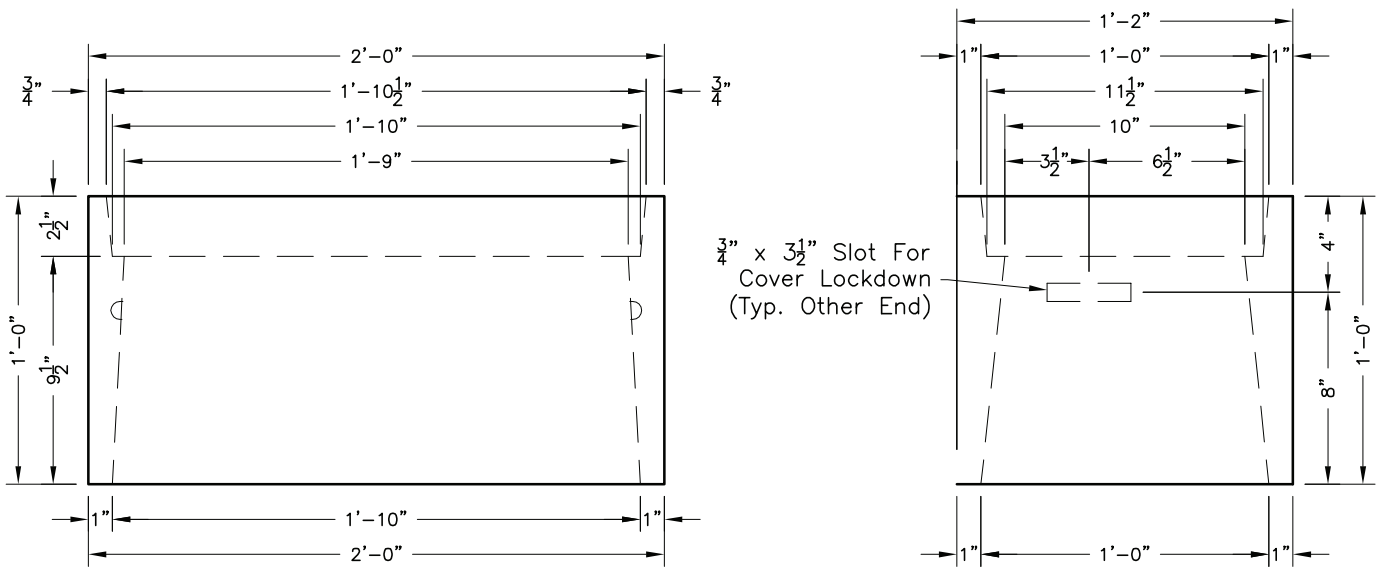
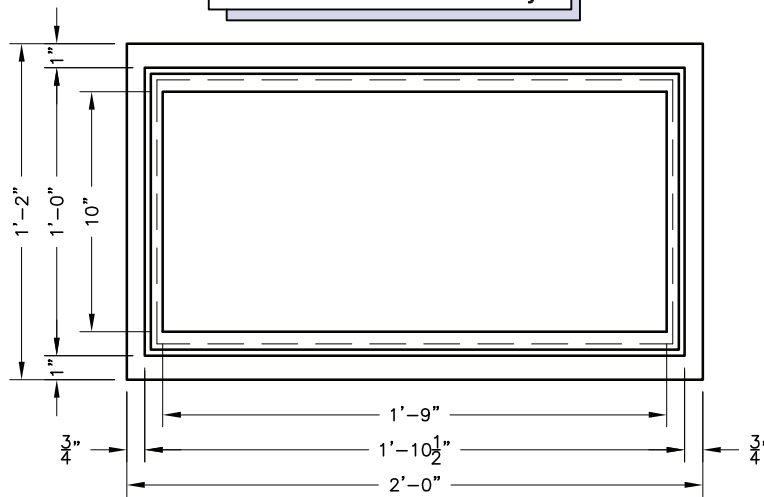
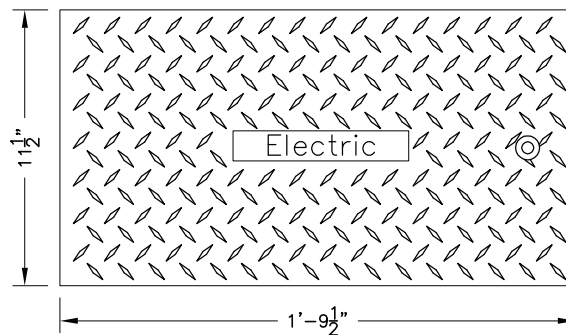


**NOTE:**  
\*Designed for Installation at Grade

| <b>Electrical Pullbox Kit Components</b> |          |                          |         |
|--|----------|--------------------------|---------|
| Item Code                                | Quantity | Description              | Weight  |
| 1831800                                  | 1        | 12" x 22" x 12" Pull Box | 98 lbs. |
| 7110300                                  | 1        | Cast Iron Cover          | 60 lbs. |


**Pull Box Side View**
**Pull Box End View**

**NOTE:**  
Cover not shown for clarity.


**Pull Box Plan View**

**Cover Plan View**