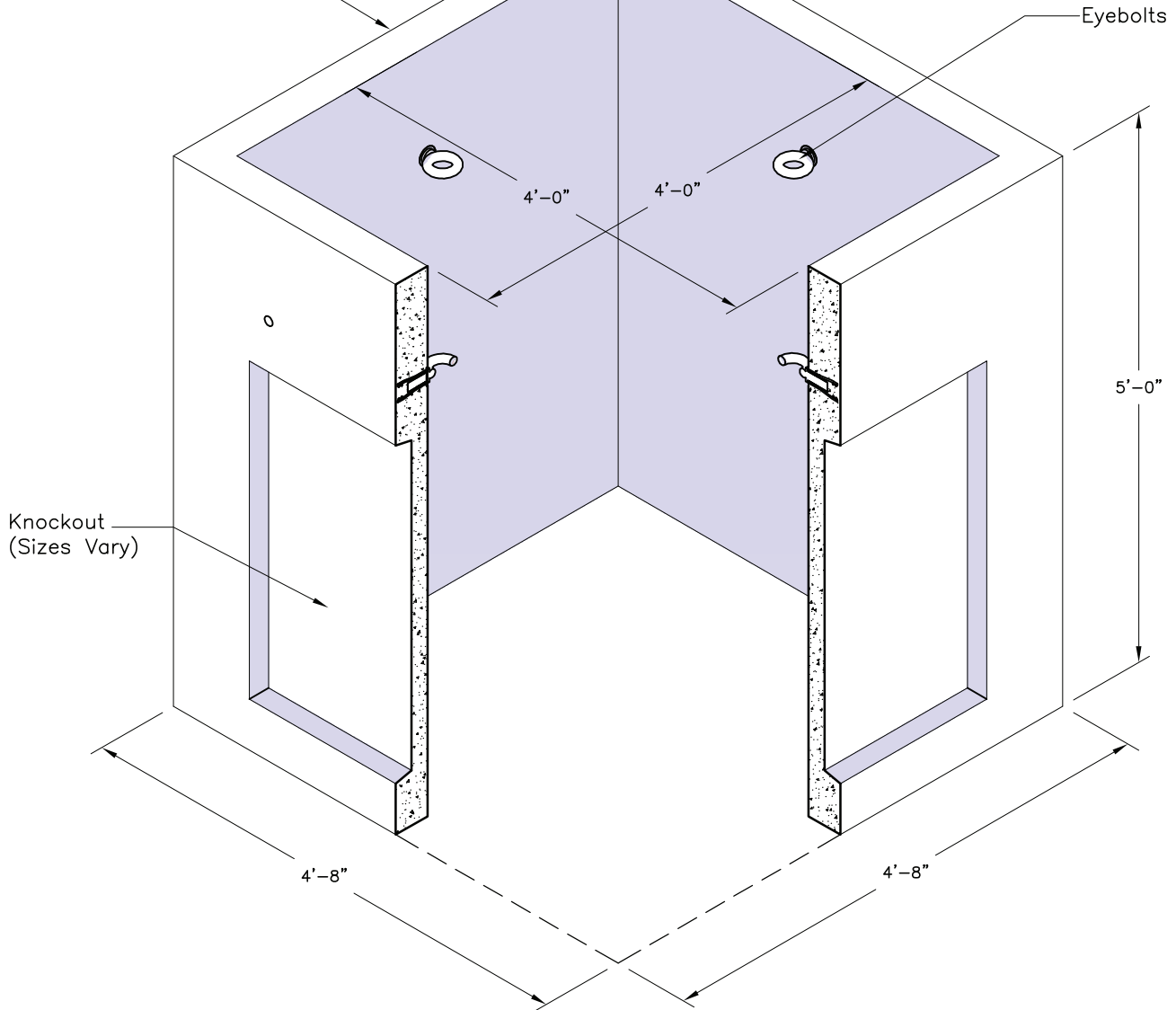


**RISER SECTION**

 4'-0" x 4'-0" Pull Pit  
 Weight = 3,411 lbs.

**NOTE: \*Designed for Installation at Grade**
**4'-0" x 4'-0" Pull Vault**

Description	Item Code	Weight
4'-0" x 4'-0" x 5'-0"	1004100	3,411 lbs.